

尤孚潜水电机

U-FLO SUBMERSIBLE MOTOR



联系我们

WWW.U-FLO.CN

**营销中心 Marketing Center**

ADD: 南京市中山东路288号新世纪广场A幢1006室 ( 210002 )  
Room 1006, Block A, New Century Plaza, 288# Zhongshan East Road, Nanjing  
TEL: (86) 25-52231105 / 52230907 / 52230921 / 84846376 FAX: (86) 25-52230912 / 84676563

**生产中心 Production Center**

ADD: 南京市溧水经济开发区南区罗马工业园18号 ( 210012 )  
18# Rome Industry Park, Southern District, Lishui Economic Development, Nanjing  
TEL: (86) 25-56610801 / 56610802 / 56610803 / 56610805 / 56610815 FAX: (86) 25-56610806 / 56610808

售后服务热线: 800-828-9695

方卓品牌设计 | www.njzad.com

# U-FLO SUBMERSIBLE MOTOR



# Contents 目录

## 03/04 COMPANY PROFILE 公司介绍

U.S. U-flo  
美国公司

## 05/63 PRODUCTS 产品介绍

SUBMERSIBLE MOTOR 3" series

潜水电机3" 3EWS 系列

SUBMERSIBLE MOTOR 4" series

潜水电机4" 4EWS 系列

SUBMERSIBLE MOTOR 4" series

潜水电机4" 4ROS 系列

SUBMERSIBLE MOTOR 6" series

潜水电机6" 6EW 系列

SUBMERSIBLE MOTOR 6" series

潜水电机6" 6RW 系列

SUBMERSIBLE MOTOR 8" series

潜水电机8" 8RW 系列

SUBMERSIBLE MOTOR 10" series

潜水电机10" 10RW 系列

SUBMERSIBLE MOTOR 12" series

潜水电机12" 12RW 系列

SUBMERSIBLE MOTOR 14" series

潜水电机14" 14RW 系列

## 64/65 SUPPORTING DEVICES 配套装置

ACCESSORIES 附件



U-flo Pumps International LLC is a global water pump manufacturing and marketing company registered in Washington, USA. Our cooperated facilities are located in Italy, Japan, Taiwan and China. Our primary products include Deep-well Pumps, Above-ground Pumps, Sewage Pumps, Pumping Systems. They are widely used in power plants, paper mills, steel plants, agriculture irrigations, construction trades, industrial applications, mining operations, municipal utilities as well as oil/gas fields.

Integrity, Innovation, International

Since the first U-FLO water pump was manufactured, our people have been making unremitting endeavor to improve designs of the U-FLO water pump products. We apply the best industry practices and the best suitable materials for key components to the design and manufacturing of our pumps.

In addition to our state of art manufacturing facilities, we put a big effort on pump testing. Every product undergoes a rigorous testing and inspection process before being shipped to our customers. Our test facility incorporates a 12000 cubic meter (52,834 gallon) closed loop system with testing capacity of up to 600m<sup>3</sup>/h (2640GPM) with the maximum head of 200m (656ft), and 250 horsepower (dual voltages of 50Hz and 60Hz). Following a strict quality management system, all of our facilities are ISO 9001 and ISO 4001 certified.

Water is a vital part of our natural resources. While we always pursue the excellence of our products and services, we also take every step to promote environment-friendly and energy-saving solutions.

As a global pump manufacturer and supplier, U-FLO is committed to producing the finest water pumps in the world and continues to lead the way forward in the pumping industry.

U-FLOPUMPS INTERNATIONAL LLC 是一家总部注册在美国华盛顿州的全球化水泵制造与销售公司。我们在意大利, 日本, 台湾和中国大陆地区均设有合作工厂。我们主要产品包括深井泵、地面泵、污水泵和供水设备。产品广泛应用于电厂、造纸厂、钢厂、农业灌溉、建筑、工业应用、矿山、市政以及油田领域。

诚信、创新、国际化

自第一台 U-flo 水泵出厂以来, 我们一直不懈努力, 致力于改进 U-flo 水泵的设计。我们以最高的行业要求和最佳材料设计和制造水泵。

在严抓工艺水平的同时, 我们还致力于水泵的测试。每一台水泵在出厂前均需要经过严格的测试和检验。我们的测试台含 12000 立方米 (52,834 加仑) 闭式循环系统, 最大测试流量达 600m<sup>3</sup>/h(2640GPM), 最高扬程为 200m(656ft), 250 马力 (双电压 50Hz、60Hz)。按照严格的质量管理体系, 我们所有的工厂均通过 ISO9001 和 ISO14001 认证。

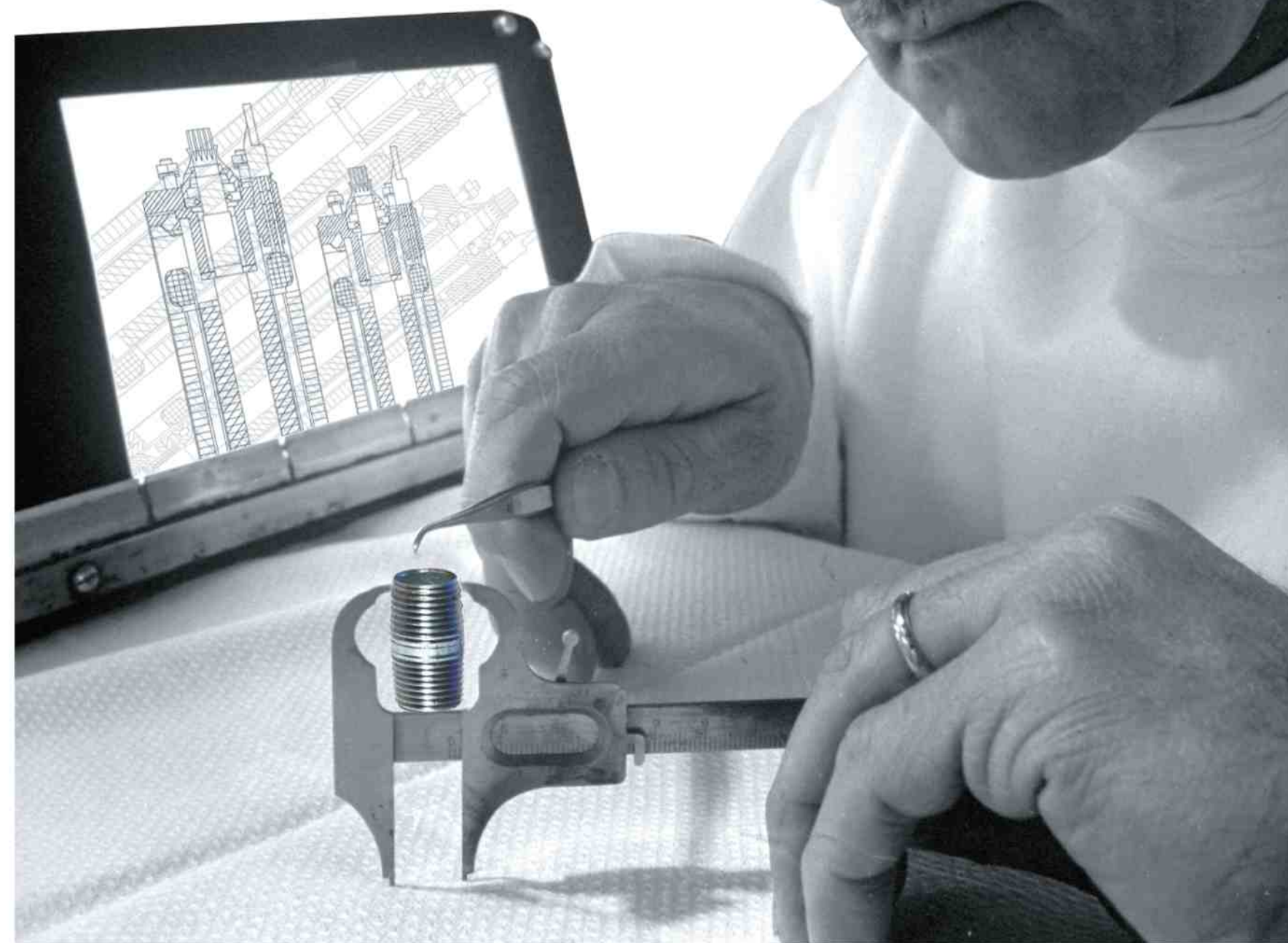
水是自然资源的重要组成部分, 我们在追求卓越的产品和服务的同时, 亦在努力推广环保和节能解决方案。

作为全球水泵制造商和供应商, U-flo 致力于生产全球最好的水泵, 成为水泵行业的领跑者。



Quality witness responsibility Technology create reliability

品质见证责任 专业成就信赖!



## Design & production 设计和制造

Design and production are all made internally at U-flo's facilities, with a quality and process systems in accordance to the ISO9001 standards; as a further results of its environmental orientation, U-flo, in the 2005, got the ambitious ISO14001 Certificate proving that its production processes comply with the very strict rules imposed by the ISO14001 Certificate.

U-flo自主设计和制造，质量及生产系统符合ISO9001标准。更因为U-flo准确的环境定位，2005年获得ISO14001认证，充分证明生产过程符合ISO14001标准。

## Product range includes 产品涵盖范围

U-flo product range includes a line of 3" -6" canned-type water-filled motors, a line of 4" rewindable-type cooled by FDA approved liquid and a new line of 6" -14" rewindable-type water filled-motors.

U-flo产品范围涵盖3" -6" 密闭式充水电机，4" 重绕式（由通过FDA认可的液体冷却）及6" -14" 重绕式充水电机。

U-FLO reserves the right to make modifications without notice.  
U-FLO 有权对产品进行修改，恕不另行通知。



## SUBMERSIBLE MOTOR 3" series 3EWS



3EWS

## I、Introduction

3" Asynchronous two-poles submersible motor, made in AISI 304 stainless steel and brass. Cooling and lubrication of the thrust bearing assembly and carbon bushes is provided by a mixture of water and glycol. Squirrel-cage rotor mounted on Kingsbury self-centering thrust bearing. Stator housed in an airtight stainless steel casing (canned type) with both flanges and shell in AISI 304 stainless steel. Removable cable connector allows fast and easy maintenance. The cable is certified ACS, WRAS and KTW. Motor suitable for use with variable frequency drive (30 Hz-60 Hz). In the single phase version the thermal protection is included in the motor. Overload protection must be provided by user for the three-phase version.

3" 异步两极潜水电机，材质为AISI304不锈钢和黄铜。乙二醇溶液保证推力轴承组件及碳质衬套的冷却和润滑。鼠笼式转子安装于金氏自动定心推力轴承上。定子封装于密闭的不锈钢壳体内（密闭式），定子、法兰及外壳均为AISI304不锈钢。可拆卸式电缆接头使维护方便快捷。电缆通过ACS、WRAS和KTW认证。电机为变频驱动（30Hz-60Hz）。单相电机含热保护器。三相电机必须使用过载保护装置。

## SUBMERSIBLE MOTOR 3"

SERIES 3EWS / 潜水电机 3" 3EWS系列

## II、TECHNICAL SPECIFICATION 技术参数

Flange	法兰	3"
Insulation class	绝缘等级	F
Degree of protection	防护等级	IP68
Cooling flow	冷却流量最小	0.3m/s
Voltage tolerance	电压偏差	+6% /-10%
Max starts	最多启动次数	20/h
Max operating depth	最大运行深度	150m
Horizontal operation	卧式运行	0.5 Hp- 1Hp

## III、COMPONENTS 组件



Canned stator made in AISI 304 stainless steel. The stator has 18 slots. Class H double insulated copper wire. Thermal protection included (single phase version).

AISI304不锈钢密闭式定子，定子含18个线槽。H级双重绝缘铜线。含热保护（单相电机）。



Kingsbury type thrust bearing unit consisting of tilting pads made of highly-resistant stainless steel and machined by U-flo using the spherical lapping process.  
From 0.5 Hp to 1 Hp: 2000N

金氏推力轴承组件包含通过U-flo球形研磨工艺加工的高强度不锈钢下止推片。  
从0.5 Hp至1 Hp: 2000N。



Shafts made of AISI 431 with a special process of surface hardening and polishing of the working area of the bushes. Squirrel-cage rotor made in copper.

AISI431电机轴通过表面淬火加工并对转子工作表面进行抛光。鼠笼式转子材质为黄铜。

3EWS

4EWS

4EWF

4ROS

6EW

6RW

8RW

10RW

12RW

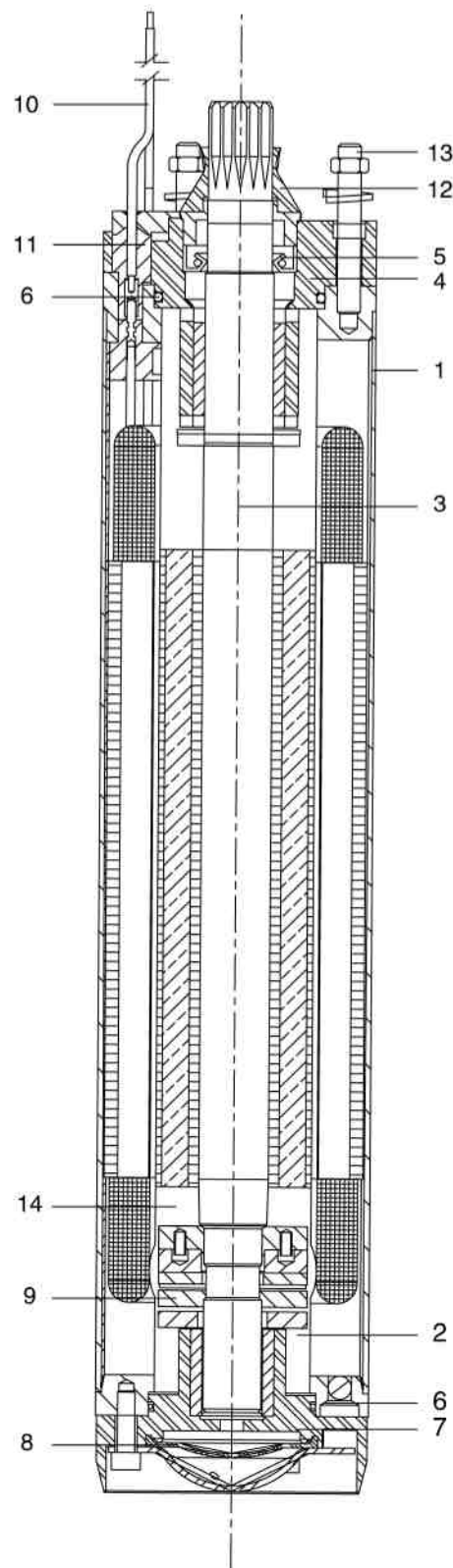
14RW

Accessories

# SUBMERSIBLE MOTOR 3"

SERIES 3EWS / 潜水电机 3"  
3EWS系列

## IV、MATERIALS 材质



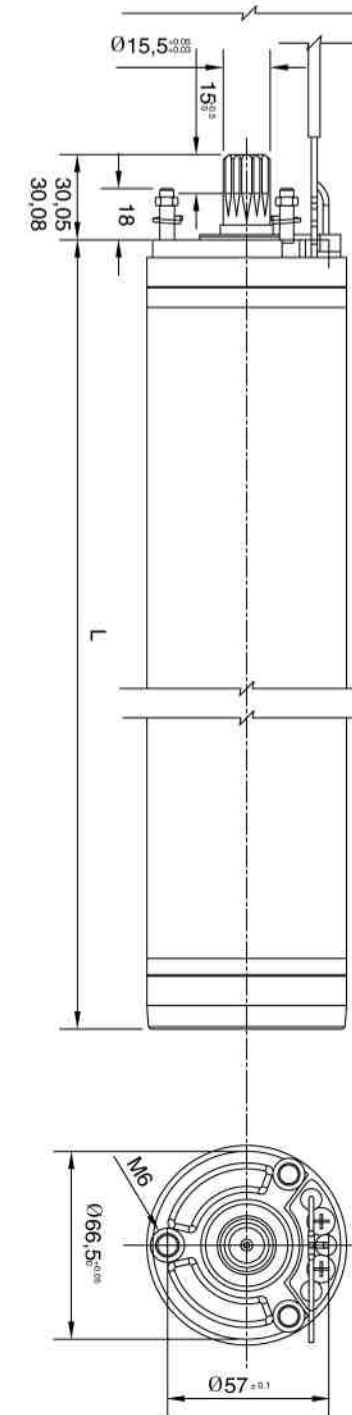
COMPONENT	MATERIAL	TYPE
1 Int. and external sleeve	Stainless steel	AISI 304
2 Stator	Stainless steel	AISI 304L
3 Shaft	Stainless steel	AISI 431
4 Upper bracket	Brass	
5 Lip seal	Rubber	NBR
6 Gasket	Rubber	NBR
7 Lower bracket	Brass	
8 Diaphragm	Rubber	EPDM
9 Thrust bearing	Stainless steel - Graphite	
10 Cable	Rubber	EPDM
11 Connecting plug	Stainless steel	AISI 304
12 Sand guard (fixed-removable)	Rubber	NBR
13 Bolts & screws	Stainless steel	AISI 304
14 Cooling liquid	Antifreeze + water	

组件	材质	类型
1 内外轴套	不锈钢	AISI 304
2 定子	不锈钢	AISI 304L
3 轴	不锈钢	AISI 431
4 上端盖	黄铜	
5 唇形密封	橡胶	NBR
6 垫圈	橡胶	NBR
7 下端盖	黄铜	
8 隔膜	橡胶	EPDM
9 推力轴承	不锈钢-石墨	
10 电缆	橡胶	EPDM
11 电缆接头	不锈钢	AISI 304
12 防沙罩 (固定式-可拆卸式)	橡胶	NBR
13 螺栓和螺母	不锈钢	AISI 304
14 冷却液	防冻液+水	

# SUBMERSIBLE MOTOR 3"

SERIES 3EWS / 潜水电机 3"  
3EWS系列

## V、SELECTION 选型



### DIMENSIONS 尺寸

#### SINGLE PHASE MOTORS 单相电机

Type 类型	P2 [Hp]	P2 [Kw]	L 长度 [mm]	Weight 重量 [Kg]	Axial thrust 轴向推力 [N]
	0.5	0.37	331	6	2000
50 Hz / 60 Hz	0.75	0.55	351	6.7	2000
	1	0.75	391	7.5	2000

### DIMENSIONS 尺寸

#### THREE PHASE MOTOR 三相电机

Type 类型	P2 [Hp]	P2 [Kw]	L 长度 [mm]	Weight 重量 [Kg]	Axial thrust 轴向推力 [N]
	0.5	0.37	331	6	2000
50 Hz / 60 Hz	0.75	0.55	351	6.7	2000
	1	0.75	391	7.5	2000

### ON REQUEST 可提供

Cable with different length 不同长度的电缆

Different supply voltages 不同电压

3EWS

4EWS

4EWF

4ROS

6EW

6RW

8RW

10RW

12RW

14RW

Accessories

# SUBMERSIBLE MOTOR 3"

## SERIES 3EWS / 潜水电机 3" 3EWS系列

### VI、EXPLAIN SELECTION 选型说明

#### ELECTRICAL DATA 电气参数 50Hz

##### SINGLE PHASE MOTORS 单相电机

P2		V	In	C	Ø	Lc
[Hp]	[Kw]	[V]	[A]	[µF]	[mm <sup>2</sup> ]	[m]
0.5	0.37	230	3.1	12	4×1	1
0.75	0.55	230	5.1	16	4×1	1.2
1	0.75	230	6.1	20	4×1	1.4

#### ELECTRICAL DATA 电气参数 50Hz

##### THREE PHASE MOTOR 三相电机

P2		V	In	C	Ø	Lc
[Hp]	[Kw]	[V]	[A]	[µF]	[mm <sup>2</sup> ]	[m]
0.5	0.37	400	1.3	-	4×1	1
0.75	0.55	400	1.9	-	4×1	1.2
1	0.75	400	2.4	-	4×1	1.4

P2: Rated output 额定输出  
 V: Rated voltage 额定电压  
 In: Rated current 额定电流  
 C: Capacitor 电容器  
 Ø: Cable section 电缆截面  
 Lc: Cable length 电缆长度

# SUBMERSIBLE MOTOR 3"

## SERIES 3EWS / 潜水电机 3" 3EWS系列

### VI、EXPLAIN SELECTION 选型说明

#### ELECTRICAL DATA 电气参数 60Hz

##### SINGLE PHASE MOTORS 单相电机

P2		V	In	C	Ø	Lc
[Hp]	[Kw]	[V]	[A]	[µF]	[mm <sup>2</sup> ]	[m]
0.5	0.37	230	3.5	12	4×1	1
0.75	0.55	230	5.3	16	4×1	1.2
1	0.75	230	6.3	20	4×1	1.4

#### ELECTRICAL DATA 电气参数 60Hz

##### THREE PHASE MOTOR 三相电机

P2		V	In	C	Ø	Lc
[Hp]	[Kw]	[V]	[A]	[µF]	[mm <sup>2</sup> ]	[m]
0.5	0.37	380	1.4	-	4×1	1
0.75	0.55	380	2.1	-	4×1	1.2
1	0.75	380	2.7	-	4×1	1.4

P2: Rated output 额定输出  
 V: Rated voltage 额定电压  
 In: Rated current 额定电流  
 C: Capacitor 电容器  
 Ø: Cable section 电缆截面  
 Lc: Cable length 电缆长度

3EWS

4EWS

4EWF

4ROS

6EW

6RW

8RW

10RW

12RW

14RW

Accessories

## SUBMERSIBLE MOTOR 4" series 4EWS

SUBMERSIBLE  
MOTOR 4"  
SERIES 4EWS

4EWS



## I、Introduction

4" Asynchronous two-poles submersible motor, made in AISI 304 stainless steel for parts in contact with water. Cooling and lubrication of the thrust bearing assembly and carbon bushes is provided by a mixture of water and glycol. Squirrel-cage rotor mounted on Kingsbury self-centring thrust bearing. Stator housed in an airtight stainless steel casing (canned-type) with both flange and shell in AISI 304L stainless steel. Removable cable connector to allow fast and easy maintenance. The cable is certified ACS, WRAS and KTW. Motor suitable for use with variable frequency drive (30 Hz - 60 Hz). Capacitor and manually resettable overload protection located in the electric panel that can be supplied separately for the single-phase 50 Hz version. For the single-phase 60 Hz version the thermal protection is included in the motor (from 0.5 Hp to 1 Hp). Overload protection must be provided by user for the three-phase version.

4" 异步两极潜水电机，与水接触部件材质均为AISI304不锈钢。乙二醇溶液保证推力轴承组件及碳质衬套的冷却和润滑。鼠笼式转子安装于金氏自动定心推力轴承上。定子封装于密闭的不锈钢壳体内（密闭式），定子、法兰及外壳均为AISI304不锈钢。可拆卸式电缆接头使维护方便快捷。电缆通过ACS、WRAS和KTW认证。电机为变频驱动（30Hz-60Hz）。单相50Hz电机可另外提供电容器和手动复位过载保护器，安装于控制箱内。单相60Hz单级含热保护器（从0.5Hp至1Hp）。用户需为三相电机提供过载保护器。

## SUBMERSIBLE MOTOR 4"

SERIES 4EWS / 潜水电机 4"  
4EWS系列

## II、TECHNICAL SPECIFICATION 技术参数

Flange	法兰	4" NEMA
Insulation class	绝缘等级	F
Degree of protection	防护等级	IP68
Cooling flow	冷却流量最小	0.2m/s
Voltage tolerance	电压偏差	+6% /-10%
Max starts	最多启动次数	20/h
Max operating depth	最大运行深度	300m
Horizontal operation	卧式运行	0.5 Hp- 10Hp

## III、COMPONENTS 组件



Canned stator with external shell and flange made in AISI 304L stainless steel. The stator has 24 slots for better elasticity and regularity of operation. Class H double insulated copper wire.

密闭式定子、内壳及法兰材质为AISI304L不锈钢。定子含24个线槽使运行更灵活、更规则。H级双重绝缘铜线。



Kingsbury type thrust bearing unit consisting of tilting pads made of highly-resistant stainless steel and machined by U-flo using the spherical lapping process.

From 0.5 Hp to 1.5 Hp: 2000N  
From 2 Hp to 3 Hp: 3000N  
From 4Hp to 10Hp: 6000N

金氏推力轴承组件包含通过U-flo球形研磨工艺加工的高强度不锈钢下止推片。

从0.5Hp至1.5Hp: 2000N  
从2Hp至3Hp: 3000N  
从4Hp至10Hp: 6000N



Shafts with end part made of stainless steel AISI 304/Duplex with a special process of surface hardening and polishing of the working area of the bushes. Squirrel-cage rotor made in aluminium for motor power until 3Hp, in copper for motor power over 4Hp.

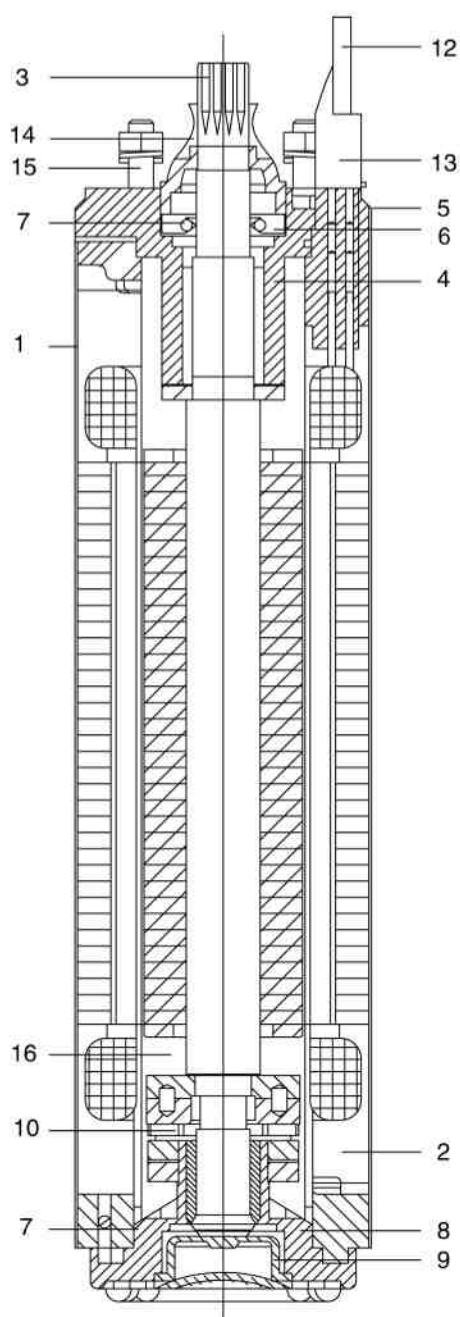
电机轴及轴端材质为AISI304/Duplex。通过表面淬火加工并对转子工作表面进行抛光处理。鼠笼式转子的材质，电机功率在3Hp以下为铝，超过4Hp为黄铜。



# SUBMERSIBLE MOTOR 4"

SERIES 4EWS / 潜水电机 4" 4EWS系列

## VI、EXPLAIN SELECTION 选型说明



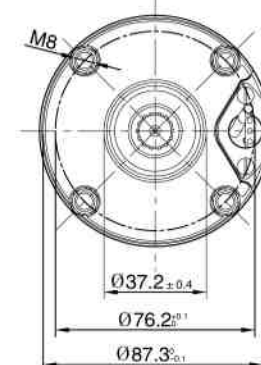
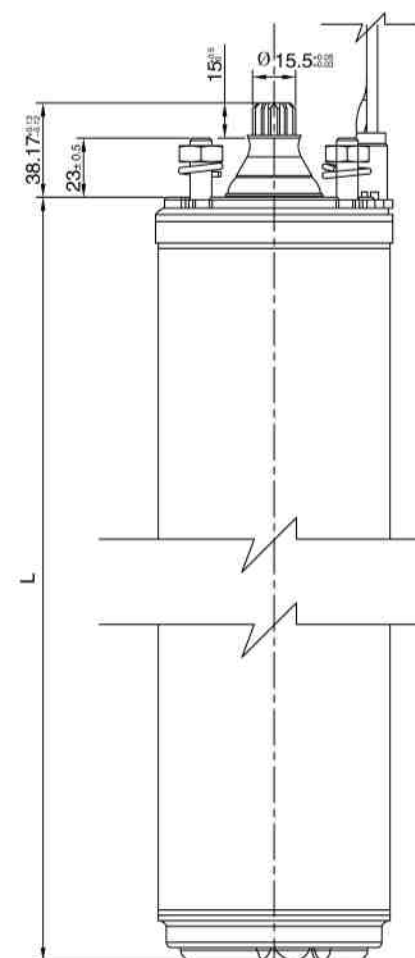
COMPONENT	MATERIAL	TYPE
1	Int. and external sleeve	Stainless steel AISI 304
2	Stator	Stainless steel AISI 304L
3	Shaft end	Stainless steel AISI 304L/ Duplex
4	Upper bracket	Cast iron
5	Bracket cover	Stainless steel AISI 304
6	Lip seal	Rubber NBR
7	Gasket	Rubber NBR
8	Lower bracket	Cast iron
9	Diaphragm	Rubber EPDM
10	Thrust bearing	Stainless steel - Graphite
11	Valve	Stainless steel AISI 304
12	Cable	Rubber EPDM
13	Connecting plug	Stainless steel AISI 316
14	Sand guard (fixed-removable)	Rubber NBR
15	Bolts & screws	Stainless steel AISI 304
16	Cooling liquid	Antifreeze + water

组件	材质	类型
1	内外轴套	不锈钢 AISI 304
2	定子	不锈钢 AISI 304L
3	轴端	不锈钢 AISI 304 / Duplex
4	上端盖	铸铁
5	盖板	不锈钢 AISI 304
6	唇形密封	橡胶 NBR
7	垫圈	橡胶 NBR
8	下端盖	铸铁
9	隔膜	橡胶 EPDM
10	推力轴承	不锈钢-石墨
11	阀门	不锈钢 AISI 304
12	电缆	橡胶 EPDM
13	电缆接头	不锈钢 AISI 316
14	防沙罩(固定式-可拆卸式)	橡胶 NBR
15	螺栓和螺母	不锈钢 AISI 304
16	冷却液	防冻液+水

# SUBMERSIBLE MOTOR 4"

SERIES 4EWS / 潜水电机 4" 4EWS系列

## VI、EXPLAIN SELECTION 选型说明



DIMENSIONS 尺寸 SINGLE PHASE MOTORS 单相电机

Type 类型	P2 [Hp] [Kw]		L 长度 [mm]	Weight 重量 [Kg]	Axial thrust 轴向推力 [N]
50 Hz	0.5	0.37	236	6.7	2000
	0.75	0.55	266	8	2000
	1	0.75	286	9	2000
	1.5	1.1	331	11	2000
	2	1.5	393	13	3000
60 Hz	3	2.2	413	13.8	3000
	0.5	0.37	266	8	2000
	0.75	0.55	286	9	2000
	1	0.75	331	11	2000
	1.5	1.1	391	13	3000
50Hz/60 Hz	2	1.5	411	14	3000
	3	2.2	451	15.7	3000
	5	3.7	684	23	6000

DIMENSIONS 尺寸 THREE PHASE MOTOR 三相电机

Type 类型	P2 [Hp] [Kw]		L 长度 [mm]	Weight 重量 [Kg]	Axial thrust 轴向推力 [N]
50 Hz	0.5	0.37	236	6.7	2000
	0.75	0.55	266	8	2000
	1	0.75	286	9	2000
	1.5	1.1	331	11	2000
	2	1.5	393	13	3000
60 Hz	3	2.2	413	13.8	3000
	4	3	544	19.7	6000
	0.5	0.37	236	6.7	2000
	0.75	0.55	266	8	2000
	1	0.75	286	9	2000
50Hz/60 Hz	1.5	1.1	346	11	3000
	2	1.5	391	13	3000
	3	2.2	411	14	3000
50Hz/60 Hz	5.5	4	614	23	6000
	7.5	5.5	684	26.6	6000
	10	7.5	764	30.6	6000

ON REQUEST 可提供

- Cable with different length 不同长度的电缆
- Different supply voltages 不同电压
- Thermal protection 热保护器 ( 50Hz - PSC - 从0.5 Hp至1.5 Hp )
- Sand-fighter motor 抗沙电机
- 75°C high temperature motor 75°C高温电机

3EWS

4EWS

4EWF

4ROS

6EW

6RW

8RW

10RW

12RW

14RW

Accessories



## SUBMERSIBLE MOTOR 4" series 4EWF

SUBMERSIBLE  
MOTOR 4"  
SERIES 4EWF

4EWF

## I、Introduction

4" Asynchronous two-poles submersible motor, made in AISI 304 stainless steel for parts in contact with water. Cooling and lubrication of the thrust bearing assembly and carbon bushes is provided by a mixture of water and glycol. Squirrel-cage rotor mounted on Kingsbury self-centring thrust bearing. Stator housed in an airtight stainless steel casing (canned-type) with both fl angs and shell in AISI 304L stainless steel. Removable cable connector to allow fast and easy maintenance. The cable is certified ACS, WRAS and KTW. Motor suitable for use with variable frequency drive (30 Hz – 60 Hz). The capacitor is placed in the Noryl cartridge directly connected to the motor, so the motor doesn't require an external control box. Thermal protection included in the motor from 0,5 HP to 1,5 HP in the 50 Hz version, from 0,5 HP to 1 HP in the 60 Hz version.

4" 异步两极潜水电机，与水接触部件材质均为AISI304不锈钢。乙二醇溶液保证推力轴承组件及碳质衬套的冷却和润滑。鼠笼式转子安装于金氏自动定心推力轴承上。定子封装于密闭的不锈钢壳体内（密闭式），定子、法兰及外壳均为AISI304不锈钢。可拆卸式电缆接头使维护方便快捷。电缆通过ACS、WRAS和KTW认证。电机为变频驱动（30Hz-60Hz）。电容器置于（Noryl cartridge）与电机直接连接，无需外置控制箱。电机（0.5Hp-1.5Hp/50Hz, 0.5Hp-1Hp/60Hz）含热保护器。

## SUBMERSIBLE MOTOR 4"

SERIES 4EWF / 潜水电机 4"  
4EWF系列

## II、TECHNICAL SPECIFICATION 技术参数

Flange	法兰	4" NEMA
Insulation class	绝缘等级	F
Degree of protection	防护等级	IP68
Cooling flow	冷却流量最小	0.2m/s
Voltage tolerance	电压偏差	+6% /-10%
Max starts	最多启动次数	20/h
Max operating depth	最大运行深度	300m
Horizontal operation	卧式运行	0.5 Hp- 1.5Hp

## III、COMPONENTS 组件



Canned stator with external shell and fl angs made in AISI 304L stainless steel. The stator has 24 slots for better elasticity and regularity of operation. Class H double insulated copper wire. Thermal protection included in the motor.

密闭式定子、内壳及法兰材质为AISI304L 不锈钢。定子含 24个线槽使运行更灵活、更规则。H级双重绝缘铜线。电机含热保护器。



Kingsbury type thrust bearing unit consisting of tilting pads made of highly-resistant stainless steel and machined by U-flo using the spherical lapping process.  
From 0,5 Hp to 1.5 Hp: 2000N (3000N in the 1.5 HP 60 Hz version)

金氏推力轴承组件包含通过U-flo球形研磨工艺加工的高强度不锈钢下止推片。  
从0.5 Hp至1.5 Hp: 2000N (3000N于1.5Hp/60Hz)



Shafts with end part made of stainless steel AISI 304 with a special process of surface hardening and polishing of the working area of the bushes. Squirrel-cage rotor made in aluminium.

电机轴及轴端材质为AISI304不锈钢。通过表面淬火加工并对转子工作表面进行抛光处理。铝制鼠笼式转子。

3EWS

4EWS

4EWF

4ROS

6EW

6RW

8RW

10RW

12RW

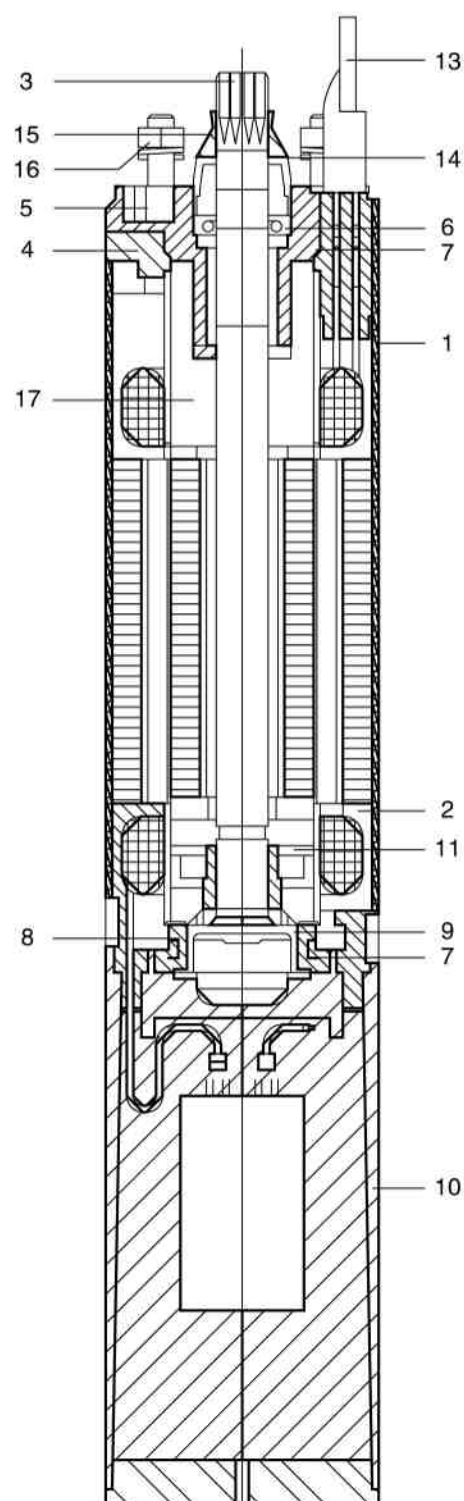
14RW

Accessories

# SUBMERSIBLE MOTOR 4"

SERIES 4EWF / 潜水电机 4" 4EWF系列

## IV、MATERIALS 材质



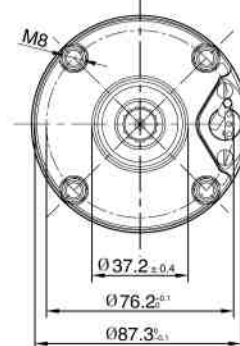
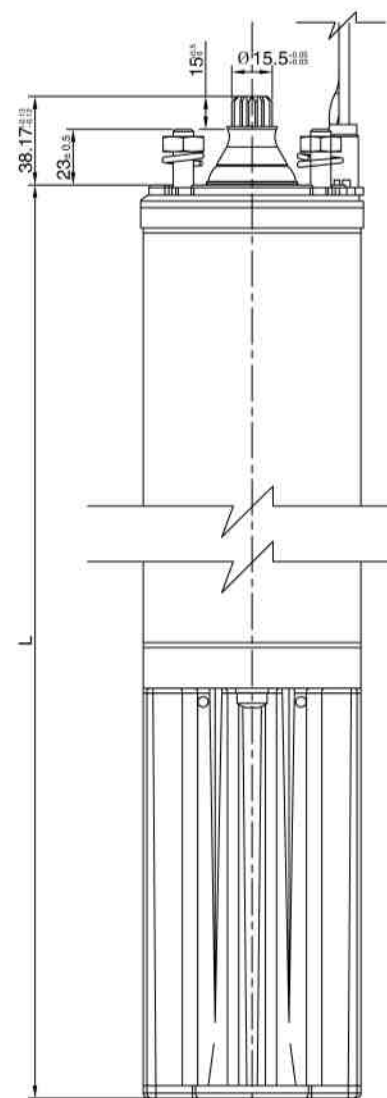
COMPONENT	MATERIAL	TYPE
1	Int. and external sleeve	Stainless steel AISI 304
2	Stator	Stainless steel AISI 304L
3	Shaft	Stainless steel AISI 431
4	Upper bracket	Cast iron
5	Bracket cover	Stainless steel AISI 304
6	Lip seal	Rubber NBR
7	Gasket	Rubber NBR
8	Lower bracket	Cast iron
9	Diaphragm	Rubber EPDM
10	Capacitor case	Plastic Noryl
11	Thrust bearing	Stainless steel - Graphite
12	Valve	Stainless steel AISI 304
13	Cable	Rubber EPDM
14	Connecting plug	Stainless steel AISI 316
15	Sand guard (fixed-removable)	Rubber NBR
16	Bolts & screws	Stainless steel AISI 304
17	Cooling liquid	Antifreeze + water

组件	材质	类型
1	内外轴套	不锈钢 AISI 304
2	定子	不锈钢 AISI 304L
3	轴	不锈钢 AISI 431
4	上端盖	铸铁
5	Bracket cover	不锈钢 AISI 304
6	唇形密封	橡胶 NBR
7	垫圈	橡胶 NBR
8	下端盖	铸铁
9	隔膜	橡胶 EPDM
10	电容器箱	塑料 Noryl
11	推力轴承	不锈钢-石墨
12	阀门	不锈钢 AISI 304
13	电缆	橡胶 EPDM
14	电缆接头	不锈钢 AISI 316
15	防沙罩 (固定式-可拆卸式)	橡胶 NBR
16	螺栓和螺母	不锈钢 AISI 304
17	冷却液	防冻液+水

# SUBMERSIBLE MOTOR 4"

SERIES 4EWF / 潜水电机 4" 4EWF系列

## V、SELECTION 选型



### DIMENSIONS 尺寸

#### SINGLE PHASE MOTORS 单相电机

Type 类型	P2 [Hp]	P2 [Kw]	L 长度 [mm]	Weight 重量 [Kg]	Axial thrust 轴向推力 [N]
50 Hz / 60 Hz	0.5	0.37	405	7.3	2000
	0.75	0.55	435	8.5	2000
	1	0.75	455	9.3	2000
50 Hz	1.5	1.1	500	11.3	2000
60 Hz	1.5	1.1	500	11.3	3000

### ON REQUEST 可提供

Cable with different length 不同长度的电缆

Different supply voltages 不同电压

UL-CSA certified version 通过UL-CSA 认证

## VI、EXPLAIN SELECTION 选型说明

### ELECTRICAL DATA 电气参数 50Hz SINGLE PHASE MOTORS单相电机

P2 [Hp]	V [V]	In [A]	Is/In	Cs/Cn	P1 [W]	N [min <sup>-1</sup> ]	Cos φ	η %	C [μF]	∅ [mm <sup>2</sup> ]	Lc [m]
0.5	230	3.3	2.7	0.69	740	2820	0.97	50	16	3×1.5	1.7
0.75	230	4.6	3.3	0.68	1000	2820	0.94	56	20	3×1.5	1.7
1	230	6.2	3.2	0.66	1300	2820	0.92	58	25	3×1.5	1.7
1.5	230	8.6	3.6	0.68	1820	2830	0.92	62	35	3×1.5	1.7

### ELECTRICAL DATA 电气参数 60Hz SINGLE PHASE MOTORS单相电机

P2 [Hp]	V [V]	SF	In [A]	In(SF) [A]	Is/In	Cs/Cn	P1 [W]	N [min <sup>-1</sup> ]	Cos φ	η %	C [μF]	∅ [mm <sup>2</sup> ]	Lc [m]
0.5	115	1.6	8.6	10	4.2	0.65	800	3540	0.88	46	80	3×1.5	1.7
	230	1.6	3.9	5	4.6	0.65	800	3540	0.88	46	20	3×1.5	1.7
0.75	115	1.5	9.8	13	5.5	0.65	1200	3530	0.82	47	100	3×1.5	1.7
	230	1.5	6.3	6.9	4.3	0.65	1200	3530	0.82	47	25	3×1.5	1.7
1	115	1.4	7.7	8.8	4.8	0.68	1500	3540	0.84	50	35	3×1.5	1.7
	230	1.3	10.6	12.1	4.7	0.70	2100	3525	0.85	53	40	3×1.5	1.7

## SUBMERSIBLE MOTOR 4" series 4ROS

SUBMERSIBLE  
MOTOR 4"  
SERIES 4ROS

4ROS

## I、Introduction

4" Asynchronous two-poles submersible motor, rewindable-type, made in AISI 304 stainless steel for parts in contact with water. Cooling and lubrication of the ball bearings is provided by a special FDA-approved liquid. Stator housed in an external shell in AISI 304L (rewindable-type) connected with stainless steel pins to the upper support of the motor. Removable cable connector to allow fast and easy maintenance. The cable is certified ACS, WRAS and KTW. Motor suitable for use with variable frequency drive (30 Hz – 60 Hz). Capacitor and manually resettable overload protection located in the electric panel that can be supplied separately for the single-phase version. Overload protection must be provided by user for the three-phase version. The motor can be equipped with a PT100 temperature sensor.

4" 异步两极潜水电机，重绕式，与水接触部件材质均为AISI304不锈钢。通过FDA认证的专用溶液保证滚珠轴承的冷却和润滑。AISI304L重绕式定子封装于外壳内用不锈钢pins连接于电机上支架。可拆卸式电缆接头使维护方便快捷。电缆通过ACS、WRAS和KTW认证。电机为变频驱动（30Hz-60Hz）。单相电机可另外提供电容器和手动复位过载保护器，安装于控制箱内。用户需为三相电机提供过载保护器。电机可配置PT100温度传感器。



## SUBMERSIBLE MOTOR 4"

SERIES 4ROS / 潜水电机 4" 4ROS系列

## II、TECHNICAL SPECIFICATION 技术参数

Flange	法兰	4" NEMA
Insulation class	绝缘等级	F
Degree of protection	防护等级	IP68
Cooling flow	冷却流量最小	0.15m/s
Voltage tolerance	电压偏差	+6% /-10%
Max starts	最多启动次数	20/h
Max operating depth	最大运行深度	300m
Horizontal operation	卧式运行	0.5 Hp- 10 Hp

## III、COMPONENTS 组件



Rewindable stator with external shell made in AISI 304L stainless steel. The stator has 24 slots for better elasticity and regularity of operation. Class H double insulated copper wire.

重绕式定子及外壳材质为AISI304L 不锈钢。定子含 24 个线槽使运行更灵活、更规则。H级双重绝缘铜线。



Oversized high axial load ball bearings  
From 0.5 Hp to 2 Hp: 2000N  
3 Hp: 3000N  
From 4 Hp to 5.5 Hp: 3000N  
From 7.5Hp to 10Hp: 5000N

大尺寸高轴向负荷滚珠轴承  
从0.5Hp至2Hp: 2000N  
3Hp: 3000N  
从4Hp至5.5Hp: 3000N  
从7.5Hp至10Hp: 5000N



Shafts with end part made of stainless steel AISI 304/Duplex with a special process of surface hardening and polishing of the working area of the bushes. Squirrel-cage rotor made in aluminium for motor power until 3Hp, in copper for motor power over 4Hp.

电机轴及轴端材质为AISI304/Duplex。通过表面淬火加工并对转子工作表面进行抛光处理。鼠笼式转子的材质，电机功率在3Hp以下的为铝，超过4Hp为黄铜。

3EWS

4EWS

4EWF

4ROS

6EW

6RW

8RW

10RW

12RW

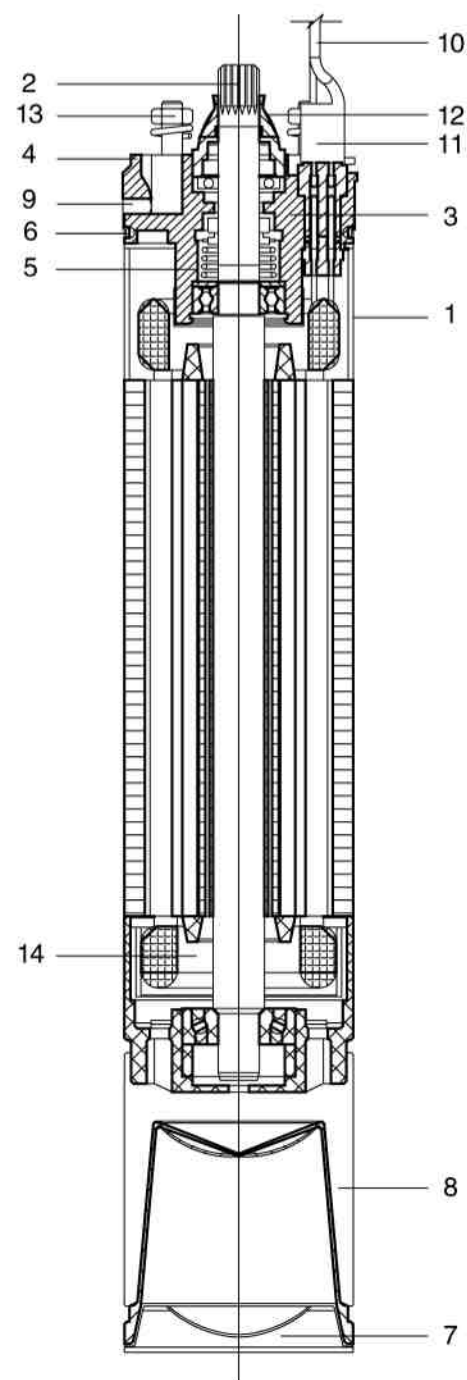
14RW

Accessories

# SUBMERSIBLE MOTOR 4"

SERIES 4ROS / 潜水电机 4" 4ROS系列

## IV、MATERIALS 材质



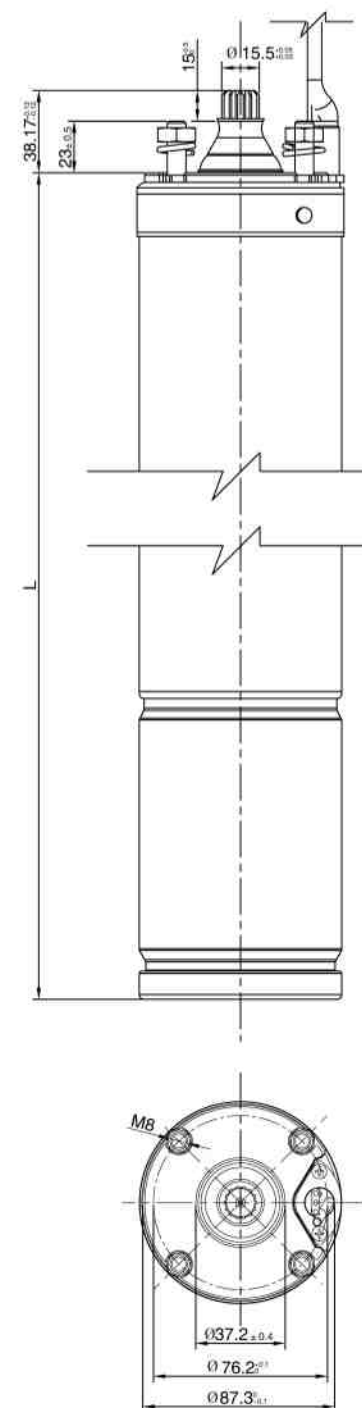
COMPONENT	MATERIAL	TYPE
1	Int. and external sleeve	Stainless steel AISI 304
2	Shaft end	Stainless steel AISI 304L
3	Upper bracket	Cast iron AISI 431
4	Bracket cover	Stainless steel
5	Mechanical seal	Ceramic - carbon AISI 304
6	Gasket	Rubber NBR
7	Lower cover	Stainless steel NBR
8	Diaphragm	Rubber
9	Pins	Stainless steel EPDM
10	Cable	Rubber Noryl
11	Connecting plug	Stainless steel AISI 316
12	Sand guard (fixed-removable)	Rubber NBR
13	Bolts & screws	Stainless steel AISI 304
14	Cooling liquid	Mineral oil

组件	材质	类型
1	外轴套	不锈钢 AISI 304
2	轴端	不锈钢 AISI 304L
3	上端盖	铸铁 AISI 431
4	盖板	不锈钢
5	机械密封	陶瓷-碳质 AISI 304
6	垫圈	橡胶 NBR
7	下盖板	不锈钢 NBR
8	隔膜	橡胶
9	插销	不锈钢 EPDM
10	电缆	橡胶 Noryl
11	电缆接头	不锈钢 AISI 316
12	防沙罩 (固定式-可拆卸式)	橡胶 NBR
13	螺栓和螺母	不锈钢 AISI 304
14	冷却液	矿物油

# SUBMERSIBLE MOTOR 4"

SERIES 4ROS / 潜水电机 4" 4ROS系列

## V、SELECTION 选型



DIMENSIONS 尺寸 SINGLE PHASE MOTORS 单相电机

Type 类型	P2		L 长度 [mm]	Weight 重量 [Kg]	Axial thrust 轴向推力 [N]
	[Hp]	[Kw]			
50Hz/60 Hz	0.5	0.37	325	6.6	2000
	0.75	0.55	345	7.6	2000
	1	0.75	375	8.9	2000
	1.5	1.1	395	9.8	2000
50 Hz	2	1.5	440	11.8	3000
	3	2.2	518	14.6	3000/4000
60 Hz	3	2.2	558	15.8	3000/4000

DIMENSIONS 尺寸 THREE PHASE MOTOR 三相电机

Type 类型	P2		L 长度 [mm]	Weight 重量 [Kg]	Axial thrust 轴向推力 [N]
	[Hp]	[Kw]			
50Hz/60 Hz	0.5	0.37	325	6.6	2000
	0.75	0.55	325	6.6	2000
	1	0.75	345	7.6	2000
	1.5	1.1	375	8.9	2000
	2	1.5	395	9.7	2000
	3	2.2	498	13.8	3000/4000
	4	3	558	17.5	4000
	5.5	4	628	20.8	4000
	7.5	5.5	698	23.9	5000
	10	7.5	778	24.1	5000

ON REQUEST 可提供

Cables with different length	不同长度的电缆
Cables UL-LISTED	UL列明的电缆
Different supply voltages	不同电压
Thermal protection (up to 1.5Hp, 50Hz and 60Hz)	热保护器 (至1.5Hp, 50Hz/60Hz)
PT100 temperature sensor	PT100温度传感器
CBM application version	CBM应用型

3EWS

4EWS

4EWF

4ROS

6EW

6RW

8RW

10RW

12RW

14RW

Accessories



## SUBMERSIBLE MOTOR 6" series 6EW

SUBMERSIBLE  
MOTOR 6"  
SERIES 6EW

6EW

## I、Introduction

6" Asynchronous two-poles submersible motor, made in AISI 304 stainless steel and cast iron with paint coating for parts in contact with water. Cooling and lubrication of the thrust bearing assembly and carbon bushes is provided by a mixture of water and glycol. Squirrel-cage rotor mounted on Kingsbury self-centring thrust bearing. Stator housed in an airtight stainless steel casing (canned-type). Removable cable connector to allow fast and easy maintenance. The cable is certified ACS, WRAS and KTW. Motor suitable for use with variable frequency drive (30 Hz - 60 Hz). The motor is available in three-phase version with DOL or STAR-DELTA starting type. Overload protection must be provided by user. On request it's available the 6EWN version made entirely in stainless steel AISI 316 with mechanical seal in silicon carbide.

The motor can be equipped also with a PT100 temperature sensor.

6" 异步两级潜水电机，与水接触部件材质为AISI304不锈钢和铸铁，铸铁部分做涂层保护处理。乙二醇溶液保证推力轴承组件及碳质衬套的冷却和润滑。鼠笼式转子安装于金氏自动定心推力轴承上。定子封装于密闭的不锈钢壳体内（密闭式）。可拆卸式电缆接头使维护方便快捷。电缆通过ACS、WRAS和KTW认证。电机为变频驱动（30Hz-60Hz）。可提供三相电机，为DOL或星三角启动。用户需安装过载保护器。可提供全316不锈钢电机，机械密封为碳化硅，型号为6EWN。

电机可配置PT100温度传感器。



## SUBMERSIBLE MOTOR 6"

SERIES 6EW / 潜水电机 6"  
6EW系列

## II、TECHNICAL SPECIFICATION 技术参数

Flange	法兰	6" NEMA
Insulation class	绝缘等级	F
Degree of protection	防护等级	IP68
Cooling flow	冷却流量最小	0.3m/s
Voltage tolerance	电压偏差	+6% /-10%
Max starts	最多启动次数	25/h
Max operating depth	最大运行深度	300m
Horizontal operation	卧式运行	5.5 Hp- 50 Hp

## III、COMPONENTS 组件



Canned stator with external shell made in AISI 304L stainless steel and flanges with an anti-corrosion treatment. The stator has 24 slots for better elasticity and regularity of operation. Class H double insulated copper wire.

密闭式定子及内壳材质为AISI304L不锈钢，法兰经防腐处理。定子含24个线槽使运行更灵活、更规则。H级双重绝缘铜线。



Kingsbury type thrust bearing unit consisting of tilting pads made of highly-resistant stainless steel and machined by U-flo using the spherical lapping process.  
From 5.5 Hp to 30 Hp: 16000N  
From 40 Hp to 50 Hp: 27000N

金氏推力轴承组件包含通过U-flo球形研磨工艺加工的高强度不锈钢下止推片。  
从5.5Hp至30Hp: 16000N  
从40Hp至50Hp: 27000N



Shafts with end part made of stainless steel "Duplex". Squirrel-cage rotor made in copper for all motor powers.

电机轴及轴端材质为Duplex。所有功率电机的鼠笼式转子材质为黄铜。

3EWS

4EWS

4EWF

4ROS

6EW

6RW

8RW

10RW

12RW

14RW

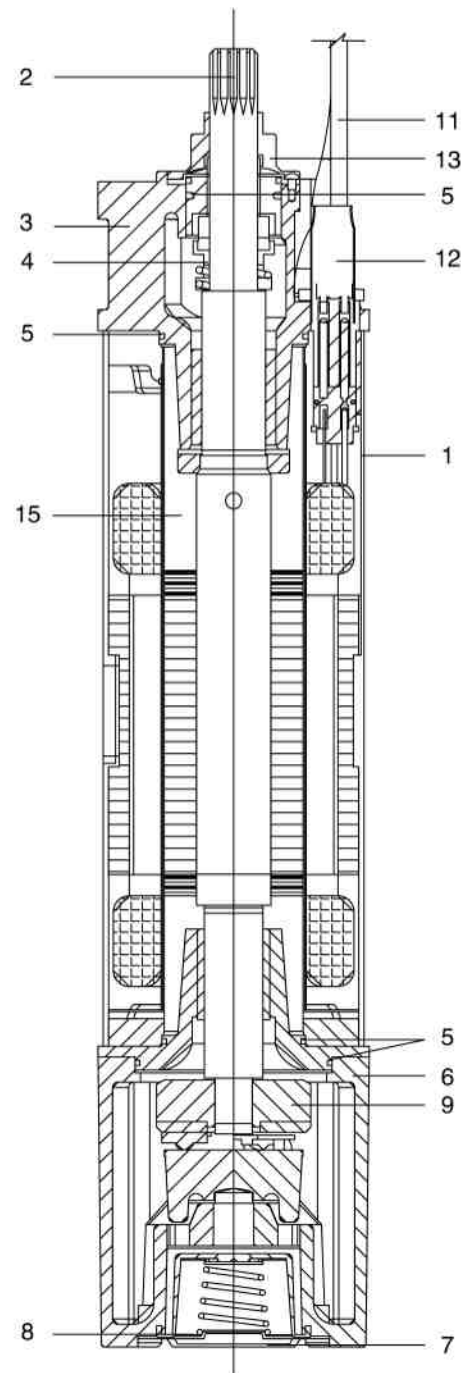
Accessories



# SUBMERSIBLE MOTOR 6"

SERIES 6EW / 潜水电机 6"  
6EW系列

## IV、MATERIALS 材质



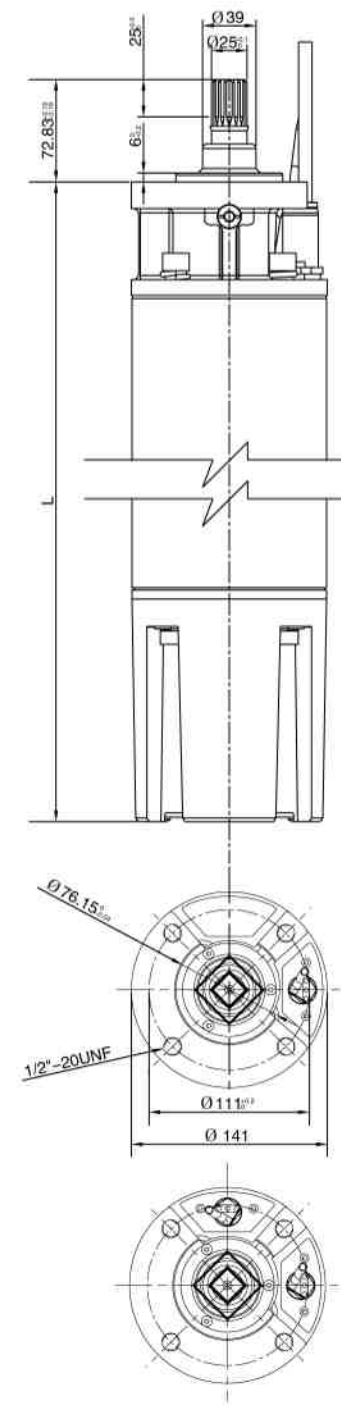
COMPONENT	6EWF	6EWS	6EWN
1 Int. and external sleeve	AISI 304L	AISI 304L	AISI 316 Ti
2 Shaft end	Duplex	Duplex	Duplex
3 Upper bracket	Painted cast iron	AISI 304	AISI 316
4 Lip seal	Ceramic – carbon	Sic / Sic	Sic / Sic
5 Gasket	NBR	VITON	VITON
6 Lower bracket	Painted cast iron	AISI 304	AISI 316
7 Lower cover	AISI 304	AISI 304	AISI 316
8 Diaphragm	EPDM	EPDM	EPDM
9 Thrust bearing	Stainless steel – graphite	Stainless steel – graphite	Stainless steel – graphite
10 Valve	Brass	AISI 316	AISI 316
11 Cable	EPDM	EPDM	EPDM
12 Connecting plug	AISI 316	AISI 316	AISI 316
13 Sand guard <small>fixed/removable</small>	NBR	EPDM	EPDM
14 Bolts & screws	AISI 304	AISI 316	AISI 316
15 Cooling liquid	Antifreeze + water	Antifreeze + water	Antifreeze + water

组件	6EWF	6EWS	6EWN
1 内外轴套	304L不锈钢	304L不锈钢	316 Ti不锈钢
2 轴端	双相不锈钢	双相不锈钢	双相不锈钢
3 上支架	铸铁涂覆	304不锈钢	316不锈钢
4 唇形密封	陶瓷-碳质	碳化硅/碳化硅	碳化硅/碳化硅
5 垫圈	NBR	VITON	VITON
6 下支架	铸铁涂覆	304不锈钢	316不锈钢
7 下盖板	304不锈钢	304不锈钢	316不锈钢
8 隔膜	EPDM	EPDM	EPDM
9 推力轴承	不锈钢-石墨	不锈钢-石墨	不锈钢-石墨
10 阀门	黄铜	316不锈钢	316不锈钢
11 电缆	EPDM	EPDM	EPDM
12 电缆接头 <small>固定式/可拆卸式</small>	316不锈钢	316不锈钢	316不锈钢
13 防沙罩	NBR	EPDM	EPDM
14 螺栓和螺母	304不锈钢	316不锈钢	316不锈钢
15 冷却液	防冻液+水	防冻液+水	防冻液+水

# SUBMERSIBLE MOTOR 6"

SERIES 6EW / 潜水电机 6"  
6EW系列

## V、SELECTION 选型



DIMENSIONS 尺寸 THREE PHASE MOTORS 三相电机

Type 类型	P2 [Hp]	[Kw]	L 长度 [mm]	Weight 重量 [Kg]	Axial thrust 轴向推力 [N]
50Hz/60 Hz	5.5	4	600	39.5	16000
	7.5	5.5	631	43.2	16000
	10	7.5	660	45.5	16000
	12.5	9.2	685	49	16000
	15	11	730	53	16000
	20	15	785	59	16000
	25	18.5	860	66.5	16000
	30	22	920	72.5	16000
	40	30	1050	85	27000
	50	37	1180	98	27000
60	45	1270	118	27000	

ON REQUEST 可提供

Cable with different length	不同长度的电缆
Different supply voltages	不同电压
Single phase version (60 Hz only)	单相型号 (仅60Hz)
PT100 temperature sensor	PT100 温度传感器
PTC temperature sensor (only DOL version)	PTC 温度传感器 (仅DOL型号)
Sand-fighter motor	抗沙电机
90°C high temperature motor	90°C 高温电机

3EWS

4EWS

4EWF

4ROS

6EW

6RW

8RW

10RW

12RW

14RW

Accessories



## SUBMERSIBLE MOTOR 6" series 6RW

SUBMERSIBLE  
MOTOR 6"  
SERIES 6RW

6RW

## I、Introduction

6" Asynchronous two-poles submersible motor, rewindable type, made in AISI 304 stainless steel and cast iron with paint coating (standard version). Cooling and lubrication of the thrust bearing assembly and carbon bushes is provided by a mixture of water and glycol. Squirrel-cage rotor mounted on Mitchell self-centering thrust bearing. The motor is available also in full stainless steel AISI 316 version or AISI 904 version. On request it's available also a version suitable for use with variable frequency drive (30 Hz-60 Hz). The motor is equipped with 5 meters three-core cable directly connected with the windings and a ground cable, and it's available with DOL or STAR-DELTA starting type. The cable is certified ACS and WRAS. Overload protection must be provided by user. On request PT100 and PTC temperature sensors are available.

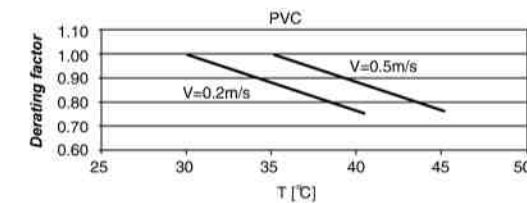
6" 异步两级潜水电机，重绕式，材质为AISI304不锈钢和铸铁，铸铁部分做涂层保护处理（标准型）。乙二醇溶液保证推力轴承组件和碳质衬套的冷却和润滑。鼠笼式转子安装于米切尔氏自动定心推力轴承上。可提供全316不锈钢和904不锈钢材质电机。可提供变频驱动电机（30Hz-60Hz）。电机配置了5米三芯电缆，直接与线圈和接地电缆相连。可提供DOL或星三角启动。电缆通过ACS和WRAS认证。用户需安装过载保护器。可提供PT100和PTC温度传感器。

SUBMERSIBLE MOTOR 6"  
SERIES 6RW /潜水电机 6"  
6RW系列

## II、TECHNICAL SPECIFICATION 技术参数

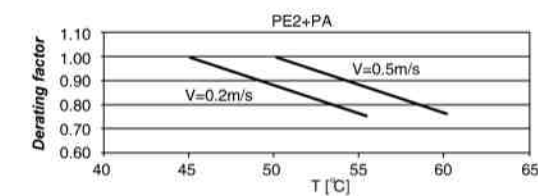
Flange	法兰	6" NEMA
Insulation class	绝缘等级	F
Degree of protection	防护等级	IP58-68
Cooling flow	冷却流量最小	0.2m/s
Voltage tolerance	电压偏差	+6% /-10%
Max starts	最多启动次数	PVC:3/h-PE2+PA:10/h
Max operating depth	最大运行深度	300m
Max operating pressure	最大工作压力	60 bar
Horizontal operation	卧式运行	5 Hp- 40 Hp

## III、DERATING 降额



For 6RW 37 Kw the maximum liquid temperature is 5 °C lower than the values stated in the table above. For 6RW from 3,5 up to 18,5 Kw is 10°C lower.

6RW-37KW液体最高温度比上表中数值低5°C，6RW-3.5KW至18.5Kw则需低10°C。



For 6RW from 3,7Kw to 18,5Kw the maximum liquid temperature is 10°C lower than the values stated in the table above.

6RW - 3.7Kw至18.5Kw液体最高温度比上表中数值低10°C。

## VI、COMPONENTS 组件



The stator is rewindable type and it's inserted in an AISI 304 stainless steel outer shell (on request AISI 316 or AISI 904). In the standard version the windings are made in copper insulated by PVC. On request it's available the PE2+PA windings for special applications such as the use with a variable frequency drive.

重绕式定子置于AISI304不锈钢外壳（可提供AISI316或AISI904材质）内。标准型号中，线圈为铜质及PVC绝缘。可提供PE2+PA线圈用于特殊环境，如用于变频驱动。



Mitchell type thrust bearing unit consisting of tilting pads in stainless steel and graphite disc.  
From 5 Hp to 20 Hp: 15000 N  
From 25 Hp to 50 Hp: 27500 N  
Upthrust: 6000 N

米切尔氏推力轴承组件包含不锈钢下止推片和石墨盘（disc）。  
从5Hp至20Hp: 15000N  
从25Hp至50Hp: 27500N  
上推力: 6000N



Shafts made of stainless steel with end part according to 6" NEMA norms. Squirrel-cage rotor made in aluminium for motor powers up to 20 Hp, in copper for motor powers above 25 Hp. In the standard version the motors up to 25 Hp are equipped with a ceramic/carbon mechanical seal. For motor powers above 30 Hp the motor is equipped also with a lip seal (granting the IP 68 insulation). On request it's available the silicon carbide (SiC/SiC) mechanical seal.

电机轴为不锈钢材质，轴端符合6" NEMA标准。20Hp及以下电机为铝制鼠笼式转子，25Hp以上为铜制。标准型号电机25Hp以下配置陶瓷/碳质机械密封。大于30Hp电机配置唇形密封（符合IP68绝缘等级）。可提供碳化硅（SiC/SiC）机械密封。

3EWS

4EWS

4EWF

4ROS

6EW

6RW

8RW

10RW

12RW

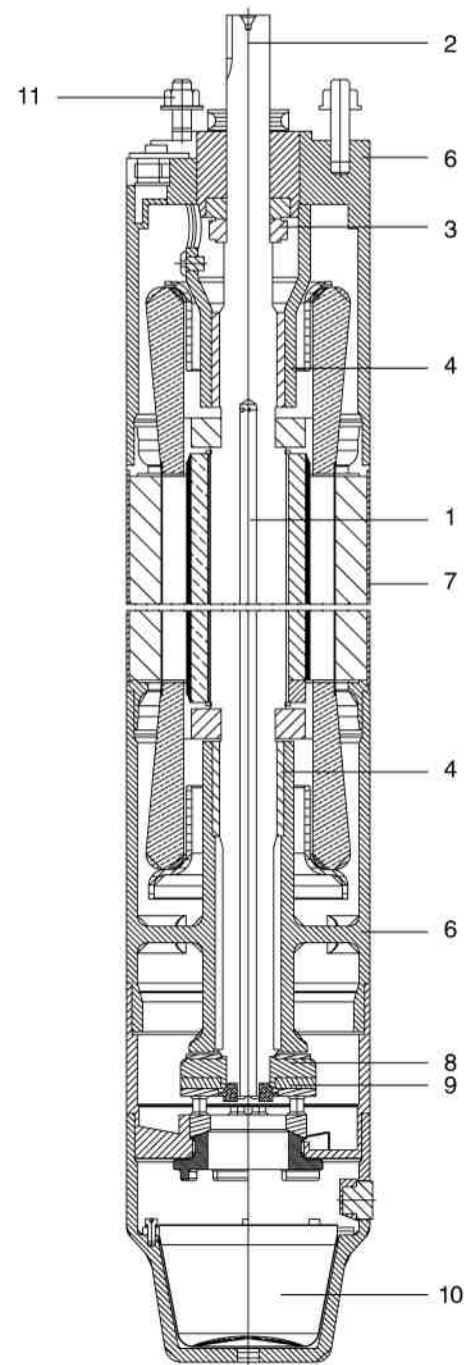
14RW

Accessories

# SUBMERSIBLE MOTOR 6"

SERIES 6RW / 潜水电机 6"  
6RW系列

## IV、MATERIALS 材质



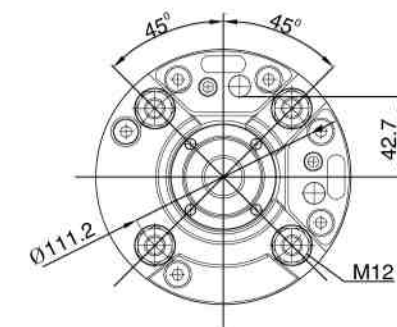
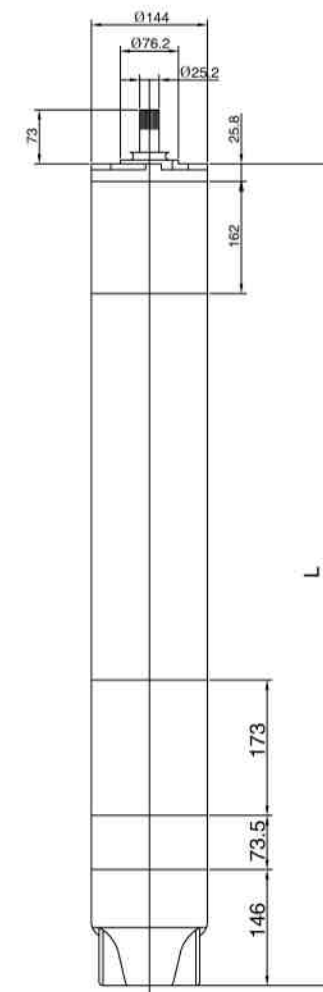
COMPONENT	F version (STD)	N version	D version
1 Shaft	Stainless steel	Stainless steel	Stainless steel
2 Shaft end s steel AISI 904	Stainless steel AISI 304	Stainless steel AISI 316	Stainless steel AISI 904
3 Mechanical seal	Ceramic / Carbon	Ceramic / Carbon	SiC / SiC
4 Bearing ring	Graphite	Graphite	Graphite
5 Cable	EPDM	EPDM	EPDM
6 Structural parts	Cast Iron	Stainless steel AISI 316	Stainless steel AISI 904
7 External sleeve   AISI 904	Stainless steel AISI 304	Stainless steel AISI 316	Stainless steel AISI 904
8 Thrust bearing rotating part	Graphite	Graphite	Graphite
9 Thrust bearing stationary part	Stainless steel	Stainless steel	Stainless steel
10 Diaphragm	EPDM	EPDM	EPDM
11 Bolts & screws	Stainless steel AISI 304	Stainless steel AISI 316	Stainless steel AISI 904

组件	F型 (标准型号)	N型	D型
1 轴	不锈钢	不锈钢	不锈钢
2 轴端	AISI 304不锈钢	AISI 316不锈钢	AISI 904不锈钢
3 机械密封	陶瓷-碳质	陶瓷-碳质	碳化硅-碳化硅
4 轴承环	石墨	石墨	石墨
5 电缆	EPDM	EPDM	EPDM
6 结构零件	铸铁	AISI 316 不锈钢	AISI 904 不锈钢
7 外轴套	AISI 304 不锈钢	AISI 316 不锈钢	AISI 904 不锈钢
8 推力轴承转动件	石墨	石墨	石墨
9 推力轴承静止件	不锈钢	不锈钢	不锈钢
10 隔膜	EPDM	EPDM	EPDM
11 螺栓和螺母	AISI 304 不锈钢	AISI 316 不锈钢	AISI 904 不锈钢

# SUBMERSIBLE MOTOR 6"

SERIES 6RW / 潜水电机 6"  
6RW系列

## V、SELECTION 选型



DIMENSIONS 尺寸 THREE PHASE MOTORS 三相电机

Type 类型	P2		L 长度 [mm]	Weight 重量 [Kg]	Axial thrust 轴向推力 [N]
50Hz/60 Hz	5	3.7	630	45	15000
	7.5	5.5	660	48	15000
	10	7.5	690	50	15000
	12.5	9.2	720	55	15000
	15	11	780	60	15000
	17.5	13	850	72	15000
	20	15	910	78	15000
	25	18.5	1085	90	27500
	30	22	1195	100	27500
	35	26	1315	115	27500
	40	30	1425	125	27500
	50	37	1425	125	27500
60	45	1475	145	27500	

### ON REQUEST 可提供

Cable with different length	不同长度的电缆
Different supply voltages	不同电压
PT100 temperature sensor	PT100 温度传感器
PTC temperature sensor	PTC 温度传感器
Special terminal shaft	专用端轴
Degree of protection IP 68	防护等级IP68
Sand-fighter motor	抗沙电机

3EWS

4EWS

4EWF

4ROS

6EW

6RW

8RW

10RW

12RW

14RW

Accessories

# SUBMERSIBLE MOTOR 6"

SERIES 6RW / 潜水电机 6"  
6RW系列

## VI、EXPLAIN SELECTION 选型说明

ELECTRICAL DATA 电气参数 50Hz 2900 rpm

THREE PHASE MOTOR 三相电机

P2 [Hp]	[Kw]	V [v]	In [A]	Is/In	P1 [W]	N [min <sup>-1</sup> ]	Cos φ	η %	Ø [mm <sup>2</sup> ]	Lc [m]
5	3.7	400	9	4.0	5286	2890	0.81	70	4×6	5
7.5	5.5	400	13	3.7	7432	2870	0.81	74	4×6	5
10	7.5	400	18	3.7	9740	2870	0.80	77	4×6	5
12.5	9.2	400	21	3.6	11948	2860	0.81	77	4×6	5
15	11	400	25	3.7	14103	2860	0.82	78	4×6	5
17.5	13	400	29	3.8	16250	2870	0.82	80	4×6	5
20	15	400	32	3.8	18519	2860	0.83	81	4×6	5
25	18.5	400	39	5.3	22024	2890	0.83	84	4×6	5
30	22	400	49	5.5	26506	2880	0.79	83	4×6	5
35	26	400	58	5.7	31325	2880	0.79	83	4×10	5
40	30	400	65	5.0	35714	2870	0.81	84	4×10	5
50	37	400	80	5.0	44578	2860	0.81	83	4×10	5
60	45	400	92	5.4	52326	2910	0.82	86	4×10	5

P2: Rated output

V: Rated voltage

SF: Service factor

In: Rated current

In ( SF ): Service factor current

Is/In: Locked rotor current/Rated current

Cs/Cn: Locked rotor Torque/Rated Torque

额定输出

额定电压

使用系数

额定电流

使用系数电流

堵转电流/额定电流

堵转扭矩/额定扭矩

P1: Power consumption

N: R.p.m

Cos φ: Power factor

η: Efficiency

C: Capacitor

Ø: Cable section

Lc: Cable length

功率消耗

每分钟转速

功率系数

效率

电容器

电缆截面

电缆长度

# SUBMERSIBLE MOTOR 6"

SERIES 6RW / 潜水电机 6"  
6RW系列

## VI、EXPLAIN SELECTION 选型说明

ELECTRICAL DATA 电气参数 60Hz 3500 rpm

THREE PHASE MOTOR 三相电机

P2 [Hp]	[Kw]	V [v]	SF	In(SF) [A]	Is/In	P1 [W]	N [min <sup>-1</sup> ]	Cos φ	η %	Ø [mm <sup>2</sup> ]	Lc [m]
5	3.7	460	1.15	9	4.20	6079	3480	0.80	70	4×6	5
7.5	5.5	460	1.15	13	4.00	8547	3470	0.80	74	4×6	5
10	7.5	460	1.15	17	3.80	11058	3460	0.79	78	4×6	5
12.5	9.2	460	1.15	21	3.70	13740	3450	0.81	77	4×6	5
15	11	460	1.15	24	3.80	16013	3460	0.82	79	4×6	5
17.5	13	460	1.15	28	4.00	18688	3460	0.82	80	4×6	5
20	15	460	1.15	32	4.00	21296	3460	0.83	81	4×6	5
25	18.5	460	1.15	37	5.50	25029	3490	0.83	85	4×6	5
30	22	460	1.15	45	6.00	30119	3490	0.79	84	4×6	5
35	26	460	1.15	56	6.00	35595	3470	0.8	84	4×10	5
40	30	460	1.15	63	5.20	40588	3460	0.82	85	4×10	5
50	37	460	1.15	78	5.30	50655	3450	0.82	84	4×10	5
60	45	460	1.15	88	6.00	58807	3480	0.84	86	4×10	5

P2: Rated output

V: Rated voltage

SF: Service factor

In: Rated current

In ( SF ): Service factor current

Is/In: Locked rotor current/Rated current

Cs/Cn: Locked rotor Torque/Rated Torque

额定输出

额定电压

使用系数

额定电流

使用系数电流

堵转电流/额定电流

堵转扭矩/额定扭矩

P1: Power consumption

N: R.p.m

Cos φ: Power factor

η: Efficiency

C: Capacitor

Ø: Cable section

Lc: Cable length

功率消耗

每分钟转速

功率系数

效率

电容器

电缆截面

电缆长度

3EWS

4EWS

4EWF

4ROS

6EW

6RW

8RW

10RW

12RW

14RW

Accessories

## SUBMERSIBLE MOTOR 8" series 8RW

## SUBMERSIBLE MOTOR 8"

SERIES 8RW / 潜水电机 8" 8RW系列

SUBMERSIBLE  
MOTOR 8"  
SERIES 8RW

8RW

## I、Introduction

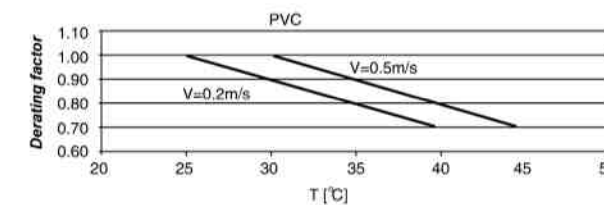
8" Asynchronous two-poles or four-poles submersible motor, rewindable type, with external shell made in AISI 316 stainless steel and supports in cast iron with paint coating (standard version). Cooling and lubrication of the thrust bearing assembly and carbon bushes is provided by a mixture of water and glycol. Squirrel-cage rotor mounted on Mitchell self-centering thrust bearing. The motor is available also in full stainless steel AISI 316 version or AISI 904 version. On request it's available also a version suitable for use with variable frequency drive (30 Hz-60 Hz). The motor is equipped with 5 meters three-core cable directly connected with the windings and it's available with DOL or STAR-DELTA starting type. The cable is certified ACS and WRAS. Overload protection must be provided by user. On request PT100 and PTC temperature sensors.

8" 异步两极或四极重绕式潜水电机，外壳材质为AISI316不锈钢，支架为表面喷涂铸铁材质（标准型）。乙二醇溶液保证推力轴承组件和碳制衬套的冷却和润滑。鼠笼式转子安装于米切尔氏自动定心推力轴承上。可提供全316不锈钢或904不锈钢材质电机。可提供应用于变频驱动（30Hz-60Hz）的型号。电机配置5米三芯电缆，与线圈直接相连并提供DOL或星三角启动。电缆通过ACS和WRAS认证。用户需安装过载保护器。可提供PT100和PTC温度传感器。

## II、TECHNICAL SPECIFICATION 技术参数

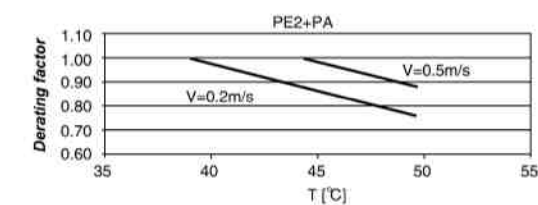
Flange	法兰	8" NEMA
Degree of protection	防护等级	IP58-68
Cooling flow	冷却流量最小	0.2m/s
Voltage tolerance	电压偏差	+6% /-10%
Max starts	最多启动次数	PVC:3/h-PE2+PA:8/h
Max operating depth	最大运行深度	300m
Max operating pressure	最大工作压力	60bar
Horizontal operation	卧式运行	30 Hp - 125 Hp

## III、DERATING 降额



For 8RW 110 Kw the maximum liquid temperature is 5 °C lower than the values stated in the table above.

6RW-37Kw液体最高温度比上表中数值低5 °C，6RW-3.5Kw至18.5Kw则需低10 °C。



For 8RW 110 Kw the maximum liquid temperature is 5 °C lower than the values stated in the table above.

6RW - 3.7KW至18.5Kw液体最高温度比上表中数值低10 °C。

## VI、COMPONENTS 组件



The stator is rewindable type and it's inserted in an AISI 316 stainless steel outer shell (on request AISI 904). In the standard version the windings are made in copper insulated by PVC. On request it's available the PE2+PA windings for special applications such as the use with a variable frequency drive.

重绕式定子置于AISI316不锈钢外壳内（可提供AISI904不锈钢）。标准型为铜线圈PVC绝缘。可提供PE2+PA线圈用于如变频驱动等特殊应用。



Mitchell type thrust bearing unit consisting of tilting pads in graphite and ceramic disc. From 30 Hp to 150 Hp: 60000 N Uplthrust: 12500 N

米切尔氏推力轴承组件包含石墨下止推片和陶瓷盘（Disc）。从30Hp至150Hp: 60000N上推力: 12500N



Shafts made of stainless steel with end part according to 8" NEMA norms. Squirrel-cage rotor made in copper. In the standard version the motor is equipped with a ceramic/carbon mechanical seal. On request it's available the silicon carbide (SiC/SiC) mechanical seal. On request the motor can be equipped also with a lip seal (granting the IP 68 insulation).

不锈钢轴和轴端符合8" NEMA标准。鼠笼式转子材质为铜。标准型电机配置陶瓷/碳质机械密封。可提供碳化硅（SiC/SiC）机械密封或唇形密封（绝缘等级为IP68）。

3EWS

4EWS

4EWF

4ROS

6EW

6RW

8RW

10RW

12RW

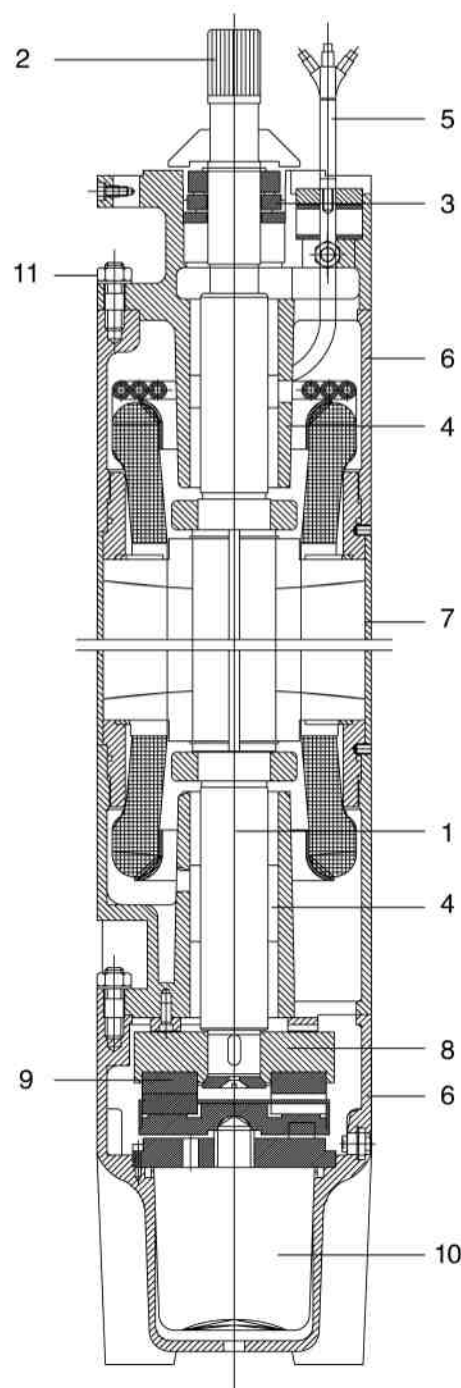
14RW

Accessories

# SUBMERSIBLE MOTOR 8"

SERIES 8RW / 潜水电机 8"  
8RW系列

## IV、MATERIALS 材质



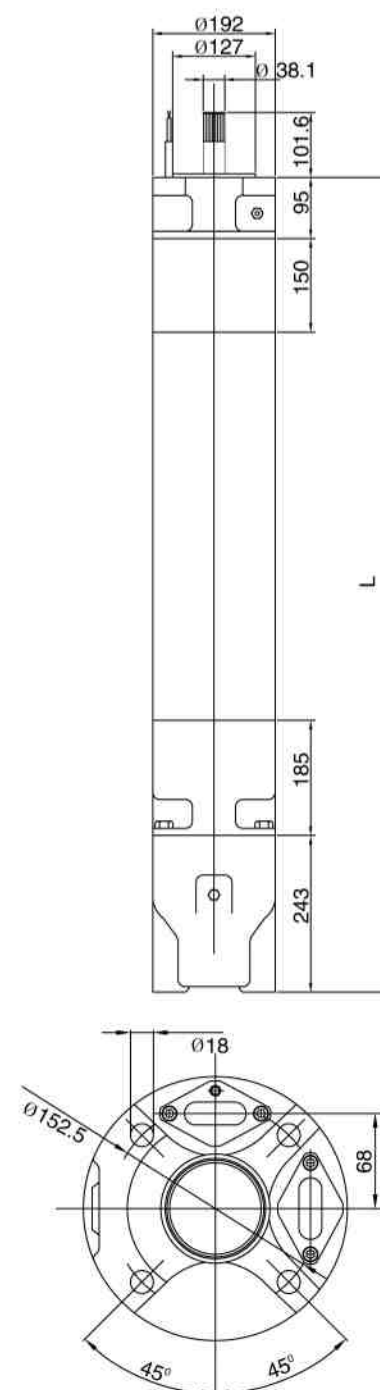
COMPONENT	F version (STD)	N version	D version
1 Shaft	Stainless steel	Stainless steel	Stainless steel
2 Shaft end	Stainless steel AISI 304	Stainless steel AISI 316	Stainless steel AISI 904
3 Mechanical seal	Ceramic / Carbon	Ceramic / Carbon	SiC / SiC
4 Bearing ring	Graphite	Graphite	Graphite
5 Cable	EPDM	EPDM	EPDM
6 Structural parts	Cast Iron	Stainless steel AISI 316	Stainless steel AISI 904
7 External sleeve	Stainless steel AISI 304	Stainless steel AISI 316	Stainless steel AISI 904
8 Thrust bearing rotating part	Graphite	Graphite	Graphite
9 Thrust bearing stationary part	Stainless steel	Stainless steel	Stainless steel
10 Diaphragm	EPDM	EPDM	EPDM
11 Bolts & screws	Stainless steel AISI 304	Stainless steel AISI 316	Stainless steel AISI 904

组件	F型 (标准型号)	N型	D型
1 轴	不锈钢	不锈钢	不锈钢
2 轴端	AISI 316不锈钢	AISI 316不锈钢	AISI 904不锈钢
3 机械密封	陶瓷-碳质	陶瓷-碳质	碳化硅-碳化硅
4 轴承环	石墨	石墨	石墨
5 电缆	EPDM	EPDM	EPDM
6 结构零件	铸铁	AISI 316 不锈钢	AISI 904 不锈钢
7 外轴套	AISI 316 不锈钢	AISI 316 不锈钢	AISI 904 不锈钢
8 推力轴承转动件	陶瓷	陶瓷	陶瓷
9 推力轴承静止件	石墨	石墨	石墨
10 隔膜	EPDM	EPDM	EPDM
11 螺栓和螺母	AISI 304 不锈钢	AISI 316 不锈钢	AISI 904 不锈钢

# SUBMERSIBLE MOTOR 8"

SERIES 8RW / 潜水电机 8"  
8RW系列

## V、SELECTION 选型



DIMENSIONS 尺寸 THREE PHASE MOTORS 三相电机

2 POLES 2极

Type 类型	P2 [Hp]	P2 [Kw]	L 长度 [mm]	Weight 重量 [Kg]	Axial thrust 轴向推力 [N]
50Hz/60 Hz	30	22	1010	126	60000
	35	26	1050	134	60000
	40	30	1110	146	60000
	50	37	1160	156	60000
	60	45	1270	177	60000
	75	55	1350	192	60000
	85	63	1490	218	60000
	100	75	1590	237	60000
	125	92	1830	283	60000
	150	110	2060	333	60000

DIMENSIONS 尺寸 THREE PHASE MOTORS 三相电机

4 POLES 4极

Type 类型	P2 [Hp]	P2 [Kw]	L 长度 [mm]	Weight 重量 [Kg]	Axial thrust 轴向推力 [N]
50Hz/60 Hz	15	11	1110	146	60000
	20	15	1160	156	60000
	25	18.5	1270	177	60000
	30	22	1350	192	60000
	35	26	1490	218	60000
	40	30	1590	237	60000
	50	37	1830	283	60000

ON REQUEST 可提供

Cable with different length	不同长度的电缆
Different supply voltages	不同电压
PT100 temperature sensor	PT100 温度传感器
PTC temperature sensor	PTC 温度传感器
Special terminal shaft	专用端轴
Degree of protection IP 68	防护等级IP68
Sand-fighter motor	抗沙电机

3EWS

4EWS

4EWF

4ROS

6EW

6RW

8RW

10RW

12RW

14RW

Accessories

# SUBMERSIBLE MOTOR 8"

SERIES 8RW / 潜水电机 8"  
8RW系列

## VI、EXPLAIN SELECTION 选型说明

### ELECTRICAL DATA 电气参数 50Hz

THREE PHASE MOTOR 三相电机 2 POLES 2极

P2 [Hp]	[Kw]	V [v]	In [A]	Is/In	P1 [W]	N [min <sup>-1</sup> ]	Cos φ	η %	Ø [mm <sup>2</sup> ]	Lc [m]
30	22	400	46	5.3	26829	2890	0.84	82	4 × 16	5
35	26	400	54	5.1	31707	2880	0.85	82	4 × 16	5
40	30	400	61	5.7	35714	2890	0.85	84	4 × 16	5
50	37	400	75	5.7	44048	2890	0.85	84	4 × 16	5
60	45	400	92	6.0	52326	2910	0.82	86	4 × 16	5
75	55	400	109	5.9	63953	2900	0.85	86	4 × 16	5
85	63	400	126	5.7	72414	2910	0.83	87	4 × 16	5
100	75	400	145	5.8	86207	2910	0.86	87	4 × 16	5
125	92	400	177	5.9	105747	2890	0.86	87	4 × 25	5
150	110	400	213	5.8	126437	2890	0.87	87	4 × 25	5

THREE PHASE MOTOR 三相电机 4 POLES 4极

15	11	380	26	5.0	13750	1450	0.79	80	4 × 16	5
20	15	380	35	4.9	18519	1450	0.80	81	4 × 16	5
25	18.5	380	41	4.7	22561	1450	0.83	82	4 × 16	5
30	22	380	49	4.7	26829	1450	0.82	82	4 × 16	5
35	26	380	58	4.7	32099	1450	0.83	81	4 × 16	5
40	30	380	65	4.5	36585	1450	0.85	82	4 × 16	5
50	37	380	81	4.5	45122	1450	0.84	82	4 × 16	5

P2: Rated output

V: Rated voltage

SF: Service factor

In: Rated current

In ( SF ): Service factor current

Is/In: Locked rotor current/Rated current

Cs/Cn: Locked rotor Torque/Rated Torque

额定输出

额定电压

使用系数

额定电流

使用系数电流

堵转电流/额定电流

堵转扭矩/额定扭矩

P1: Power consumption

N: R.p.m

Cos φ: Power factor

η: Efficiency

C: Capacitor

Ø: Cable section

Lc: Cable length

功率消耗

每分钟转速

功率系数

效率

电容器

电缆截面

电缆长度

# SUBMERSIBLE MOTOR 8"

SERIES 8RW / 潜水电机 8"  
8RW系列

## VI、EXPLAIN SELECTION 选型说明

### ELECTRICAL DATA 电气参数 60Hz

THREE PHASE MOTOR 三相电机 2 POLES 2极

P2 [Hp]	[Kw]	V [v]	SF	In(SF) [A]	Is/In	P1 [W]	N [min <sup>-1</sup> ]	Cos φ	η %	Ø [mm <sup>2</sup> ]	Lc [m]
30	22	460	1.15	46	5.3	31235	3480	0.84	81	4 × 16	5
35	26	460	1.15	53	5.1	36914	3470	0.86	81	4 × 16	5
40	30	460	1.15	61	5.8	41566	3490	0.85	83	4 × 16	5
50	37	460	1.15	74	5.5	50655	3490	0.85	84	4 × 16	5
60	45	460	1.15	88	6.4	60174	3500	0.85	86	4 × 16	5
75	55	460	1.15	107	5.8	73547	3500	0.86	86	4 × 16	5
85	63	460	1.15	120	6.0	84244	3510	0.86	86	4 × 16	5
100	75	460	1.15	143	5.7	99138	3500	0.86	87	4 × 16	5
125	92	460	1.15	175	6.0	121609	3480	0.87	87	4 × 25	5
150	110	460	1.15	210	5.8	147093	3480	0.87	86	4 × 25	5

THREE PHASE MOTOR 三相电机 4 POLES 4极

15	11	460	1.15	25	5.0	15427	1750	0.78	82	4 × 16	5
20	15	460	1.15	34	4.9	20783	1750	0.79	83	4 × 16	5
25	18.5	460	1.15	40	4.7	25327	1750	0.82	84	4 × 16	5
30	22	460	1.15	47	4.7	30119	1750	0.81	84	4 × 16	5
35	26	460	1.15	56	4.7	36024	1750	0.82	83	4 × 16	5
40	30	460	1.15	63	4.5	41071	1750	0.84	84	4 × 16	5
50	37	460	1.15	78	4.5	50655	1750	0.83	84	4 × 16	5

P2: Rated output

V: Rated voltage

SF: Service factor

In: Rated current

In ( SF ): Service factor current

Is/In: Locked rotor current/Rated current

Cs/Cn: Locked rotor Torque/Rated Torque

额定输出

额定电压

使用系数

额定电流

使用系数电流

堵转电流/额定电流

堵转扭矩/额定扭矩

P1: Power consumption

N: R.p.m

Cos φ: Power factor

η: Efficiency

C: Capacitor

Ø: Cable section

Lc: Cable length

功率消耗

每分钟转速

功率系数

效率

电容器

电缆截面

电缆长度

3EWS

4EWS

4EWF

4ROS

6EW

6RW

8RW

10RW

12RW

14RW

Accessories



## SUBMERSIBLE MOTOR 10" series 10RW

SUBMERSIBLE  
MOTOR 10"  
SERIES 10RW

10RW

## I、Introduction

10" Asynchronous two-poles or four-poles submersible motor, rewindable type, with external shell made in AISI 316 stainless steel and supports in cast iron with paint coating (standard version). Cooling and lubrication of the thrust bearing assembly and carbon bushes is provided by a mixture of water and glycol. Squirrel-cage rotor mounted on Mitchell self-centring thrust bearing. The motor is available also in full stainless steel AISI 316 version or AISI 904 version. On request it's available also a version suitable for use with variable frequency drive (30 Hz - 60 Hz). The motor is equipped with 8 meters single-core cables directly connected with the windings and it's available with DOL or STAR-DELTA starting type. The cables are certified ACS and WRAS. Overload protection must be provided by user. On request PT100 and PTC temperature sensors are available.

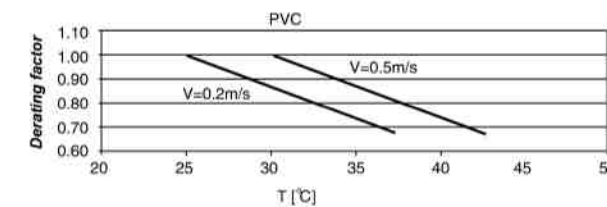
10" 异步两极或四极重绕式潜水电机，外壳材质为AISI316不锈钢，支架为表面喷涂铸铁材质（标准型）。乙二醇溶液保证推力轴承组件和碳制衬套的冷却和润滑。鼠笼式转子安装于米切尔氏自动定心推力轴承上。可提供全316不锈钢或904不锈钢材质电机。可提供应用于变频驱动（30Hz - 60Hz）的型号。电机配置8米单芯电缆，与线圈直接相连并提供DOL或星三角启动。电缆通过ACS和WRAS认证。用户需安装过载保护器。可提供PT100和PTC温度传感器。

SUBMERSIBLE MOTOR 10"  
SERIES 10RW / 潜水电机 10"  
10RW系列

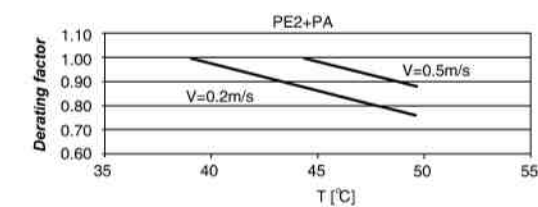
## II、TECHNICAL SPECIFICATION 技术参数

Flange	法兰	10" NEMA
Degree of protection	防护等级	IP58-68
Cooling flow	冷却流量最小	0.2m/s
Voltage tolerance	电压偏差	+6% /-10%
Max starts	最多启动次数	PVC:3/h-PE2+PA:6/h
Max operating depth	最大运行深度	300m
Max operating pressure	最大工作压力	60 bar
Horizontal operation	卧式运行	100 Hp- 230 Hp

## III、DERATING 降额



For 10RW 170 Kw PE2+PA the maximum liquid temperature is 5 °C lower than the values stated in the table above.



10RW 170Kw PE2+PA PE2+PA最高液体温度比上表中温度低5摄氏度。

## VI、COMPONENTS 组件



The stator is rewindable type and it's inserted in an AISI 316 stainless steel outer shell (on request AISI 904). In the standard version the windings are made in copper insulated by PVC (230 HP and 260 HP by PE2+PA). On request it's available the PE2+PA windings for special applications such as the use with a variable frequency drive.

重绕式定子置于AISI316不锈钢外壳内（可提供AISI904不锈钢）。标准型为铜制线圈PVC绝缘（230HP和260HP为PE2+PA）。可提供PE2+PA线圈用于变频驱动等特殊应用。



Mitchell type thrust bearing unit consisting of tilting pads in graphite and ceramic disc. From 100 Hp to 260 Hp: 60000 N Upthrust: 12500 N

米切尔氏推力轴承组件包含石墨下止推片和陶瓷盘（Disc）。从100Hp至260Hp：60000N上推力：12500N



Shafts made of stainless steel with end part with key coupling. Squirrel-cage rotor made in copper. In the standard version the motor is equipped with a ceramic/carbon mechanical seal. On request it's available the silicon carbide (SiC/SiC) mechanical seal. On request the motor can be equipped also with a lip seal (granting the IP 68 insulation).

不锈钢轴和轴端为键连接。鼠笼式转子材质为铜。标准型电机配置陶瓷/碳质机械密封。可提供碳化硅（SiC/SiC）机械密封或唇形密封（绝缘等级为IP68）。

3EWS

4EWS

4EWF

4ROS

6EW

6RW

8RW

10RW

12RW

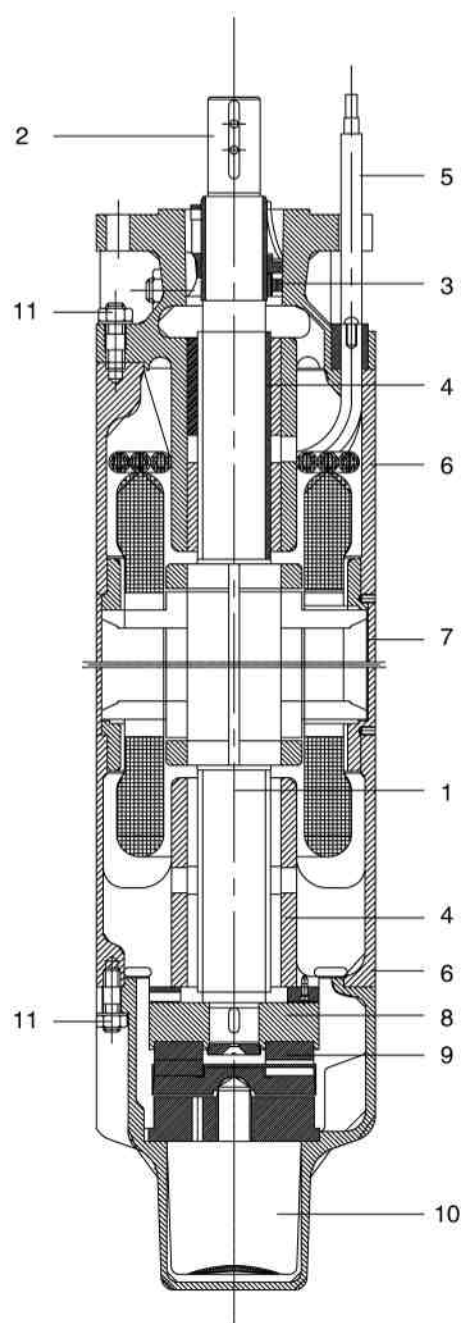
14RW

Accessories

# SUBMERSIBLE MOTOR 10"

SERIES 10RW / 潜水电机 10"  
10RW系列

## IV、MATERIALS 材质



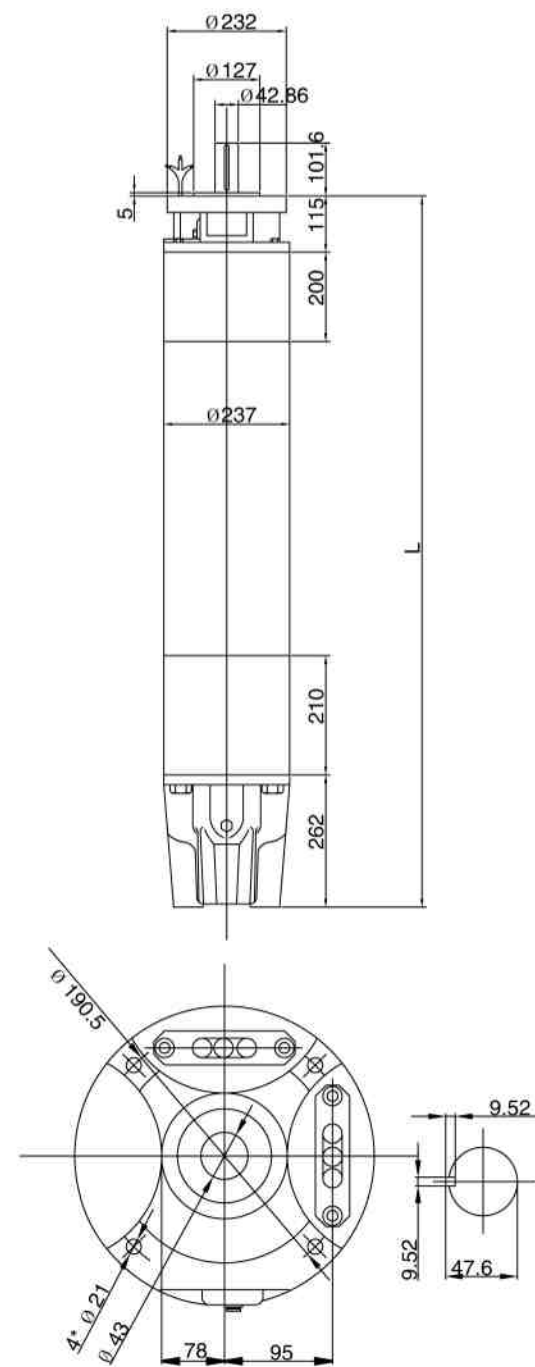
COMPONENT	F version (STD)	N version	D version
1 Shaft	Stainless steel	Stainless steel	Stainless steel
2 Shaft end	Stainless steel AISI 304	Stainless steel AISI 316	Stainless steel AISI 904
3 Mechanical seal	Ceramic / Carbon	Ceramic / Carbon	SIC / SIC
4 Bearing ring	Graphite	Graphite	Graphite
5 Cable	EPDM	EPDM	EPDM
6 Structural parts	Cast Iron	Stainless steel AISI 316	Stainless steel AISI 904
7 External sleeve	Stainless steel AISI 304	Stainless steel AISI 316	Stainless steel AISI 904
8 Thrust bearing rotating part	Graphite	Graphite	Graphite
9 Thrust bearing stationary part	Stainless steel	Stainless steel	Stainless steel
10 Diaphragm	EPDM	EPDM	EPDM
11 Bolts & screws	Stainless steel AISI 304	Stainless steel AISI 316	Stainless steel AISI 904

组件	F型 (标准型号)	N型	D型
1 轴	不锈钢	不锈钢	不锈钢
2 轴端	AISI 316不锈钢	AISI 316不锈钢	AISI 904不锈钢
3 机械密封	陶瓷-碳质	陶瓷-碳质	碳化硅-碳化硅
4 轴承环	石墨	石墨	石墨
5 电缆	EPDM	EPDM	EPDM
6 结构零件	铸铁	AISI 316 不锈钢	AISI 904 不锈钢
7 外轴套	AISI 316 不锈钢	AISI 316 不锈钢	AISI 904 不锈钢
8 推力轴承转动件	陶瓷	陶瓷	陶瓷
9 推力轴承静止件	石墨	石墨	石墨
10 隔膜	EPDM	EPDM	EPDM
11 螺栓和螺母	AISI 304 不锈钢	AISI 316 不锈钢	AISI 904 不锈钢

# SUBMERSIBLE MOTOR 10"

SERIES 10RW / 潜水电机 10"  
10RW系列

## V、SELECTION 选型



DIMENSIONS 尺寸 THREE PHASE MOTORS 三相电机

2 POLES 2极

Type 类型	P2 [Hp]	P2 [Kw]	L 长度 [mm]	Weight 重量 [Kg]	Axial thrust 轴向推力 [N]
50Hz/60 Hz	100	75	1400	280	60000
	125	92	1500	330	60000
	150	110	1690	385	60000
	180	132	1870	435	60000
	200	147	2070	500	60000
	230	170	2220	540	60000
260	190	2400	580	60000	

DIMENSIONS 尺寸 THREE PHASE MOTORS 三相电机

4 POLES 4极

Type 类型	P2 [Hp]	P2 [Kw]	L 长度 [mm]	Weight 重量 [Kg]	Axial thrust 轴向推力 [N]
50Hz/60 Hz	40	30	1270	250	60000
	50	37	1400	280	60000
	60	45	1500	330	60000
	75	55	1690	385	60000
	100	75	1870	435	60000
	125	92	2070	500	60000

ON REQUEST 可提供

Cable with different length	不同长度的电缆
Different supply voltages	不同电压
PT100 temperature sensor	PT100 温度传感器
PTC temperature sensor	PTC 温度传感器
Special terminal shaft	专用端轴
Degree of protection IP 68	防护等级IP68
Sand-fighter motor	抗沙电机

3EWS

4EWS

4EWF

4ROS

6EW

6RW

8RW

10RW

12RW

14RW

Accessories

# SUBMERSIBLE MOTOR 10"

SERIES 10RW / 潜水电机 10"  
10RW系列

## VI、EXPLAIN SELECTION 选型说明

### ELECTRICAL DATA 电气参数 50Hz

#### THREE PHASE MOTOR 三相电机 2 POLES 2极

P2 [Hp]	[Kw]	V [v]	In [A]	Is/In	P1 [W]	N [min <sup>-1</sup> ]	Cos φ	η %	Ø [mm <sup>2</sup> ]	Lc [m]
100	75	400	148	5.4	86207	2910	0.84	87	4 × 50	8
125	92	400	185	5.6	105747	2910	0.82	87	4 × 50	8
150	110	400	217	5.7	125000	2910	0.84	88	4 × 50	8
180	132	400	257	5.7	150000	2910	0.84	88	4 × 50	8
200	147	400	300	6.2	168966	2920	0.81	87	4 × 50	8
230	170	400	348	6.0	195402	2920	0.81	87	4 × 50	8
260	190	400	405	5.9	218391	2930	0.79	87	4 × 50	8

#### THREE PHASE MOTOR 三相电机 4 POLES 4极

40	30	380	64	5.3	35294	1450	0.83	85	4 × 50	8
50	37	380	75	5.5	43023	1450	0.87	86	4 × 50	8
60	45	380	92	4.6	51724	1450	0.84	87	4 × 50	8
75	55	380	113	5.3	62500	1450	0.85	88	4 × 50	8
100	75	380	153	5.4	86207	1450	0.84	87	4 × 50	8
125	90	380	190	5.3	103448	1450	0.85	87	4 × 50	8

P2: Rated output

额定输出

V: Rated voltage

额定电压

SF: Service factor

使用系数

In: Rated current

额定电流

In ( SF ): Service factor current

使用系数电流

Is/In: Locked rotor current/Rated current

堵转电流/额定电流

Cs/Cn: Locked rotor Torque/Rated Torque

堵转扭矩/额定扭矩

P1: Power consumption

功率消耗

N: R.p.m

每分钟转速

Cos φ: Power factor

功率系数

η: Efficiency

效率

C: Capacitor

电容器

Ø: Cable section

电缆截面

Lc: Cable length

电缆长度

# SUBMERSIBLE MOTOR 10"

SERIES 10RW / 潜水电机 10"  
10RW系列

## VI、EXPLAIN SELECTION 选型说明

### ELECTRICAL DATA 电气参数 60Hz

#### THREE PHASE MOTOR 三相电机 2 POLES 2极

P2 [Hp]	[Kw]	V [v]	SF	In(SF) [A]	Is/In	P1 [W]	N [min <sup>-1</sup> ]	Cos φ	η %	Ø [mm <sup>2</sup> ]	Lc [m]
100	75	460	1.15	146	5.7	99138	3510	0.84	87	4 × 50	8
125	92	460	1.15	181	5.5	121609	3510	0.83	87	4 × 50	8
150	110	460	1.15	213	5.8	143750	3510	0.84	88	4 × 50	8
180	132	460	1.15	252	5.7	172500	3510	0.85	88	4 × 50	8
200	147	460	1.15	290	6.2	194310	3520	0.82	87	4 × 50	8
230	170	460	1.15	338	5.9	224713	3520	0.82	87	4 × 50	8
260	190	460	1.15	386	6.1	251149	3520	0.79	87	4 × 50	8

#### THREE PHASE MOTOR 三相电机 4 POLES 4极

40	30	460	1.15	62	5.3	40116	1750	0.82	86	4 × 50	8
50	37	460	1.15	73	5.5	48908	1750	0.86	87	4 × 50	8
60	45	460	1.15	89	4.6	58807	1750	0.83	88	4 × 50	8
75	55	460	1.15	109	5.3	71875	1750	0.84	88	4 × 50	8
100	75	460	1.15	147	5.4	98011	1750	0.83	88	4 × 50	8
125	90	460	1.15	183	5.3	117614	1750	0.84	88	4 × 50	8

P2: Rated output

额定输出

V: Rated voltage

额定电压

SF: Service factor

使用系数

In: Rated current

额定电流

In ( SF ): Service factor current

使用系数电流

Is/In: Locked rotor current/Rated current

堵转电流/额定电流

Cs/Cn: Locked rotor Torque/Rated Torque

堵转扭矩/额定扭矩

P1: Power consumption

功率消耗

N: R.p.m

每分钟转速

Cos φ: Power factor

功率系数

η: Efficiency

效率

C: Capacitor

电容器

Ø: Cable section

电缆截面

Lc: Cable length

电缆长度

3EWS

4EWS

4EWF

4ROS

6EW

6RW

8RW

10RW

12RW

14RW

Accessories

## SUBMERSIBLE MOTOR 12" series 12RW

SUBMERSIBLE  
MOTOR 12"  
SERIES 12RW

12RW

## I、Introduction

12" Asynchronous two-poles or four-poles submersible motor, rewindable type, with external shell made in AISI 316 stainless steel and supports in cast iron with paint coating (standard version). Cooling and lubrication of the thrust bearing assembly and carbon bushes is provided by a mixture of water and glycol. Squirrel-cage rotor mounted on Mitchell self-centring thrust bearing. The motor is available also in full stainless steel AISI 316 version. On request it's available also a version suitable for use with variable frequency drive (30 Hz-60 Hz). The motor is equipped with 8 meters single-core cables directly connected with the windings and it's available with DOL or STAR-DELTA starting type. The cables are certified ACS and WRAS. Overload protection must be provided by user. On request PT100 and PTC temperature sensors are available.

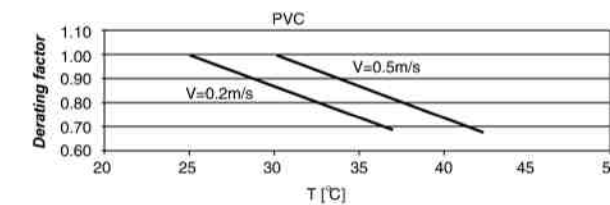
12" 异步两极或四极重绕式潜水电机，外壳材质为AISI316不锈钢，支架为表面喷涂铸铁材质（标准型）。乙二醇溶液保证推力轴承组件和碳制衬套的冷却和润滑。鼠笼式转子安装于米切尔氏自动定心推力轴承上。可提供全316不锈钢材质电机。可提供应用于变频驱动（30Hz-60Hz）的型号。电机配置8米单芯电缆，与线圈直接相连并可提供DOL或星三角启动。电缆通过ACS和WRAS认证。用户需安装过载保护器。可提供PT100和PTC温度传感器。

SUBMERSIBLE MOTOR 12"  
SERIES 12RW / 潜水电机 12"  
12RW系列

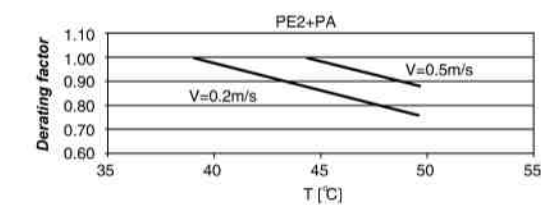
## II、TECHNICAL SPECIFICATION 技术参数

Flange	法兰	12" NEMA
Degree of protection	防护等级	IP58-68
Cooling flow	冷却流量最小	0.2m/s
Voltage tolerance	电压偏差	+6% /-10%
Max starts	最多启动次数	PVC:3/h-PE2+PA:5/h
Max operating depth	最大运行深度	300m
Max operating pressure	最大工作压力	60 bar
Horizontal operation	卧式运行	200 Hp- 340 Hp

## III、DERATING 降额



For 12RW 220 Kw PE2+PA and 250 Kw PE2+PA the maximum liquid temperature is 10 °C lower than the values stated in the table above.



12RW 220Kw PE2+PA 及250Kw PE2+PA最高液体温度比上表中温度低10摄氏度。

## VI、COMPONENTS 组件



The stator is rewindable type and it's inserted in an AISI 316 stainless steel outer shell. In the standard version the windings are made in copper insulated by PVC (PE2+PA on 300 HP and 340 HP). On request it's available the PE2+PA windings for special applications such as the use with a variable frequency drive.

重绕式定子置于AISI316不锈钢外壳内。标准型为铜制线圈PVC绝缘（300HP和340HP为PE2+PA）。可提供PE2+PA线圈用于如变频驱动等特殊应用。



Mitchell type thrust bearing unit consisting of tilting pads in stainless steel covered by rubber and stainless steel disc.  
From 200 Hp to 340 Hp:70000 N (single direction of rotation)  
35000 N (double direction of rotation)  
Upthrust: 15000 N

米切尔氏推力轴承组件包含橡胶覆盖的不锈钢下止推片和不锈钢盘（Disc）。从200Hp至340Hp：70000N（单向转动）35000N（双向转动）上推力：15000N



Shafts made of stainless steel with end part with key coupling. Squirrel-cage rotor made in copper. In the standard version the motor is equipped with a ceramic/carbon mechanical seal. On request it's available the silicon carbide (SiC/SiC) mechanical seal. On request the motor can be equipped also with a lip seal (granting the IP 68 insulation).

不锈钢轴和轴端为键连接。鼠笼式转子材质为铜。标准型电机配置陶瓷/碳质机械密封。可提供碳化硅（SiC/SiC）机械密封或唇形密封（绝缘等级为IP68）。

3EWS

4EWS

4EWF

4ROS

6EW

6RW

8RW

10RW

12RW

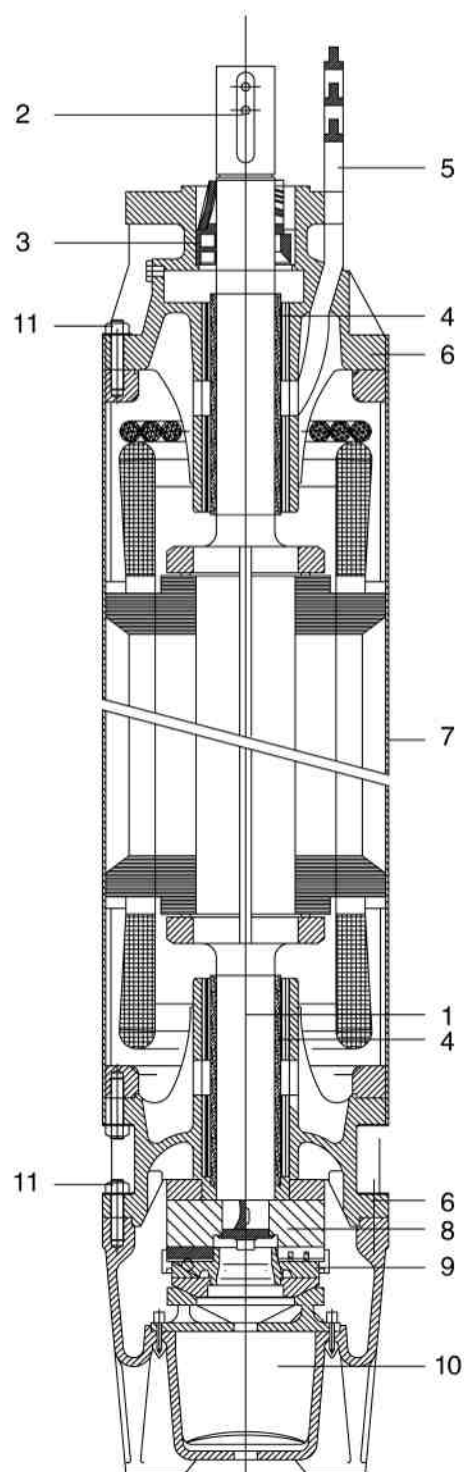
14RW

Accessories

# SUBMERSIBLE MOTOR 12"

SERIES 12RW / 潜水电机 12"  
12RW系列

## IV、MATERIALS 材质



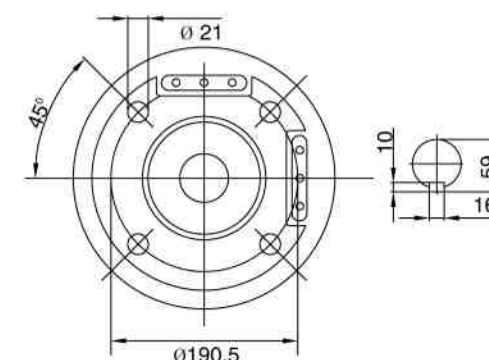
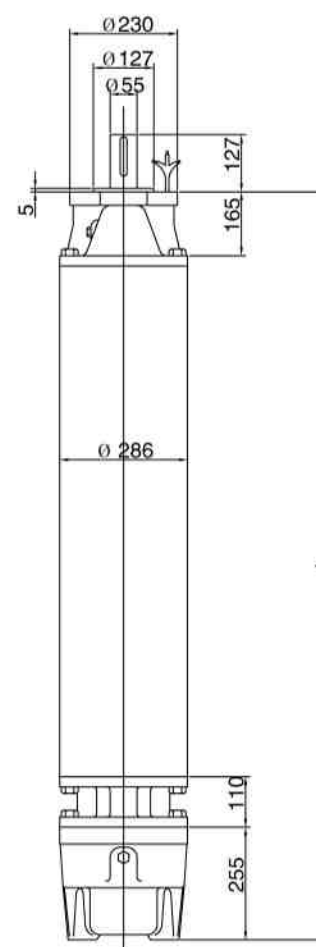
COMPONENT	STD version	N version
1 Shaft	Stainless steel	Stainless steel
2 Shaft end	Stainless steel AISI 304	Stainless steel AISI 316
3 Mechanical seal	Ceramic / Carbon	Ceramic / Carbon
4 Bearing ring	Graphite	Graphite
5 Cable	EPDM	EPDM
6 Structural parts	Cast Iron	Stainless steel AISI 316
7 External sleeve	Stainless steel AISI 304	Stainless steel AISI 316
8 Thrust bearing rotating part	Graphite	Graphite
9 Thrust bearing stationary part	Stainless steel	Stainless steel
10 Diaphragm	EPDM	EPDM
11 Bolts & screws	Stainless steel AISI 304	Stainless steel AISI 316

组件	标准型号	N型
1 轴	不锈钢	不锈钢
2 轴端	AISI 904不锈钢	AISI 904不锈钢
3 机械密封	陶瓷-碳质	陶瓷-碳质
4 轴承环	不锈钢/NBR	不锈钢/NBR
5 电缆	EPDM	EPDM
6 结构零件	铸铁	AISI 316 不锈钢
7 外轴套	AISI 316 不锈钢	AISI 316 不锈钢
8 推力轴承转动件	不锈钢	不锈钢
9 推力轴承静止件	不锈钢/NBR	不锈钢/NBR
10 隔膜	EPDM	EPDM
11 螺栓和螺母	AISI 304 不锈钢	AISI 316 不锈钢

# SUBMERSIBLE MOTOR 12"

SERIES 12RW / 潜水电机 12"  
12RW系列

## V、SELECTION 选型



### DIMENSIONS 尺寸 THREE PHASE MOTORS 三相电机

2 POLES 2极					
Type 类型	P2		L 长度 [mm]	Weight 重量 [Kg]	Axial thrust 轴向推力 [N]
	[Hp]	[Kw]			
50Hz/60 Hz	200	147	1790	565	70000
	230	170	1880	605	70000
	260	190	1980	650	70000
	300	220	2110	700	70000
	340	250	2280	775	70000

### DIMENSIONS 尺寸 THREE PHASE MOTORS 三相电机

4 POLES 4极					
Type 类型	P2		L 长度 [mm]	Weight 重量 [Kg]	Axial thrust 轴向推力 [N]
	[Hp]	[Kw]			
50Hz/60 Hz	100	75	1660	515	70000
	125	92	1790	565	70000
	150	110	1880	605	70000
	180	132	2110	700	70000
	200	147	2210	750	70000

### ON REQUEST 可提供

Cable with different length	不同长度的电缆
Different supply voltages	不同电压
PT100 temperature sensor	PT100 温度传感器
PTC temperature sensor	PTC 温度传感器
Special terminal shaft	专用端轴
Sand-fighter motor	抗沙电机

3EWS

4EWS

4EWF

4ROS

6EW

6RW

8RW

10RW

12RW

14RW

Accessories

# SUBMERSIBLE MOTOR 12"

SERIES 12RW / 潜水电机 12"  
12RW系列

## VI、EXPLAIN SELECTION 选型说明

### ELECTRICAL DATA 电气参数 50Hz

#### THREE PHASE MOTOR 三相电机 2 POLES 2极

P2 [Hp]	[Kw]	V [v]	In [A]	Is/In	P1 [W]	N [min <sup>-1</sup> ]	Cos φ	η %	Ø [mm <sup>2</sup> ]	Lc [m]
200	147	400	290	6.2	167045	2930	0.83	88	4 × 70	8
230	170	400	329	6.1	193182	2920	0.85	88	4 × 70	8
260	190	400	371	6.2	215909	2930	0.84	88	4 × 70	8
300	220	400	424	6.1	250000	2920	0.85	88	4 × 70	8
340	250	400	481	5.9	284091	2920	0.85	88	4 × 70	8

#### THREE PHASE MOTOR 三相电机 4 POLES 4极

100	75	380	147	6.5	85227	1450	0.86	88	4 × 70	8
125	92	380	182	6.5	103371	1450	0.87	89	4 × 70	8
150	110	380	214	5.8	123596	1450	0.88	89	4 × 70	8
180	132	380	256	5.8	148315	1450	0.88	89	4 × 70	8
200	147	380	285	5.9	165169	1450	0.88	89	4 × 70	8

P2: Rated output

V: Rated voltage

SF: Service factor

In: Rated current

In ( SF ) : Service factor current

Is/In: Locked rotor current/Rated current

Cs/Cn: Locked rotor Torque/Rated Torque

额定输出

额定电压

使用系数

额定电流

使用系数电流

堵转电流/额定电流

堵转扭矩/额定扭矩

P1: Power consumption

N: R.p.m

Cos φ : Power factor

η : Efficiency

C: Capacitor

Ø : Cable section

Lc: Cable length

功率消耗

每分钟转速

功率系数

效率

电容器

电缆截面

电缆长度

# SUBMERSIBLE MOTOR 12"

SERIES 12RW / 潜水电机 12"  
12RW系列

## VI、EXPLAIN SELECTION 选型说明

### ELECTRICAL DATA 电气参数 60Hz

#### THREE PHASE MOTOR 三相电机 2 POLES 2极

P2 [Hp]	[Kw]	V [v]	SF	In(SF) [A]	Is/In	P1 [W]	N [min <sup>-1</sup> ]	Cos φ	η %	Ø [mm <sup>2</sup> ]	Lc [m]
100	75	460	1.15	145	6.5	96910	1750	0.86	89	4 × 70	8
125	92	460	1.15	180	6.5	118876	1750	0.87	89	4 × 70	8
150	110	460	1.15	211	5.8	142135	1750	0.88	89	4 × 70	8
180	132	460	1.15	252	5.8	170562	1750	0.88	89	4 × 70	8
200	147	460	1.15	281	5.9	189944	1750	0.88	89	4 × 70	8

P2: Rated output

V: Rated voltage

SF: Service factor

In: Rated current

In ( SF ) : Service factor current

Is/In: Locked rotor current/Rated current

Cs/Cn: Locked rotor Torque/Rated Torque

额定输出

额定电压

使用系数

额定电流

使用系数电流

堵转电流/额定电流

堵转扭矩/额定扭矩

P1: Power consumption

N: R.p.m

Cos φ : Power factor

η : Efficiency

C: Capacitor

Ø : Cable section

Lc: Cable length

功率消耗

每分钟转速

功率系数

效率

电容器

电缆截面

电缆长度

3EWS

4EWS

4EWF

4ROS

6EW

6RW

8RW

10RW

12RW

14RW

Accessories

## SUBMERSIBLE MOTOR 14" series 14RW

SUBMERSIBLE  
MOTOR 14"  
SERIES 14RW

14RW

## I、Introduction

14" Asynchronous two-poles or four-poles submersible motor, rewindable type, with external shell made in AISI 316 stainless steel and supports in cast iron with paint coating (standard version). Cooling and lubrication of the thrust bearing assembly and carbon bushes is provided by a mixture of water and glycol. Squirrel-cage rotor mounted on Mitchell self-centring thrust bearing. The motor is available also in full stainless steel AISI 316 version. On request it's available also a version suitable for use with variable frequency drive (30 Hz – 60 Hz). The motor is equipped with 8 meters single-core cables directly connected with the windings and it's available with DOL or STAR-DELTA starting type. The cables are certified ACS and WRAS. Overload protection must be provided by user. On request PT100 and PTC temperature sensors are available.

14" 异步两极或四极重绕式潜水电机，外壳材质为AISI316不锈钢，支架为表面喷涂铸铁材质（标准型）。乙二醇溶液保证推力轴承组件和碳制衬套的冷却和润滑。鼠笼式转子安装于米切尔氏自动定心推力轴承上。可提供全316不锈钢材质电机。可提供应用于变频驱动（30Hz-60Hz）的型号。电机配置8米单芯电缆，与线圈直接相连并可提供DOL或星三角启动。电缆通过ACS和WRAS认证。用户需安装过载保护器。可提供PT100和PTC温度传感器。

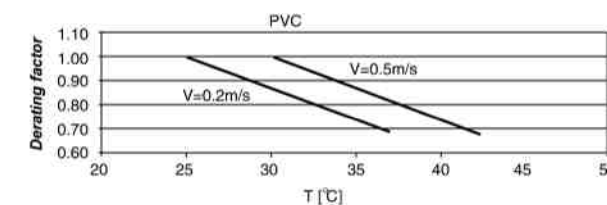
## SUBMERSIBLE MOTOR 14"

SERIES 14RW / 潜水电机 14"  
14RW系列

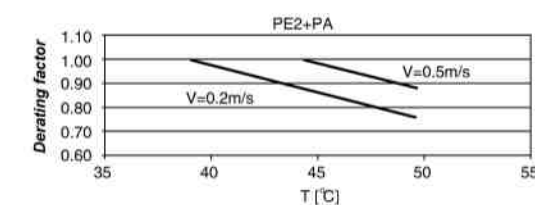
## II、TECHNICAL SPECIFICATION 技术参数

Flange	法兰	14" NEMA
Degree of protection	防护等级	IP58-68
Cooling flow	冷却流量最小	0.2m/s
Voltage tolerance	电压偏差	+6% /-10%
Max starts	最多启动次数	PVC:3/h-PE2+PA:5/h
Max operating depth	最大运行深度	300m
Max operating pressure	最大工作压力	60 bar
Horizontal operation	卧式运行	300 Hp– 550 Hp

## III、DERATING 降额



For 14RW 367 kw PE2+PA and 404 kw PE2+PA the maximum liquid temperature is 10 °C lower than the values stated in the table above.



14RW 367Kw PE2+PA 及 404Kw PE2+PA最高液体温度比上表中温度低10摄氏度。

## VI、COMPONENTS 组件



The stator is rewindable type and it's inserted in an AISI 316 stainless steel outer shell. In the standard version the windings are made in copper insulated by PVC. On request it's available the PE2+PA windings for special applications such as the use with a variable frequency drive.

重绕式定子置于AISI316不锈钢外壳内。标准型为铜制线圈PVC绝缘。可提供PE2+PA线圈用于变频驱动等特殊应用。



Mitchell type thrust bearing unit consisting of tilting pads in stainless steel covered by rubber and stainless steel disc.  
From 300 Hp to 550 Hp:  
70000 N (single direction of rotation)  
35000 N (double direction of rotation)  
Upthrust: 15000 N

米切尔氏推力轴承组件包含橡胶覆盖的不锈钢下止推片和不锈钢盘（Disc）。  
从300Hp至550Hp：  
70000N（单向转动）  
35000N（双向转动）  
上推力：15000N



Shafts made of stainless steel with end part with key coupling. Squirrel-cage rotor made in copper. In the standard version the motor is equipped with a ceramic/carbon mechanical seal. On request it's available the silicon carbide (SiC/SiC) mechanical seal. On request the motor can be equipped also with a lip seal (granting the IP 68 insulation).

不锈钢轴和轴端为键连接。鼠笼式转子材质为铜。标准型电机配置陶瓷/碳质机械密封。可提供碳化硅（SiC/SiC）机械密封或唇形密封（绝缘等级为IP68）。

3EWS

4EWS

4EWF

4ROS

6EW

6RW

8RW

10RW

12RW

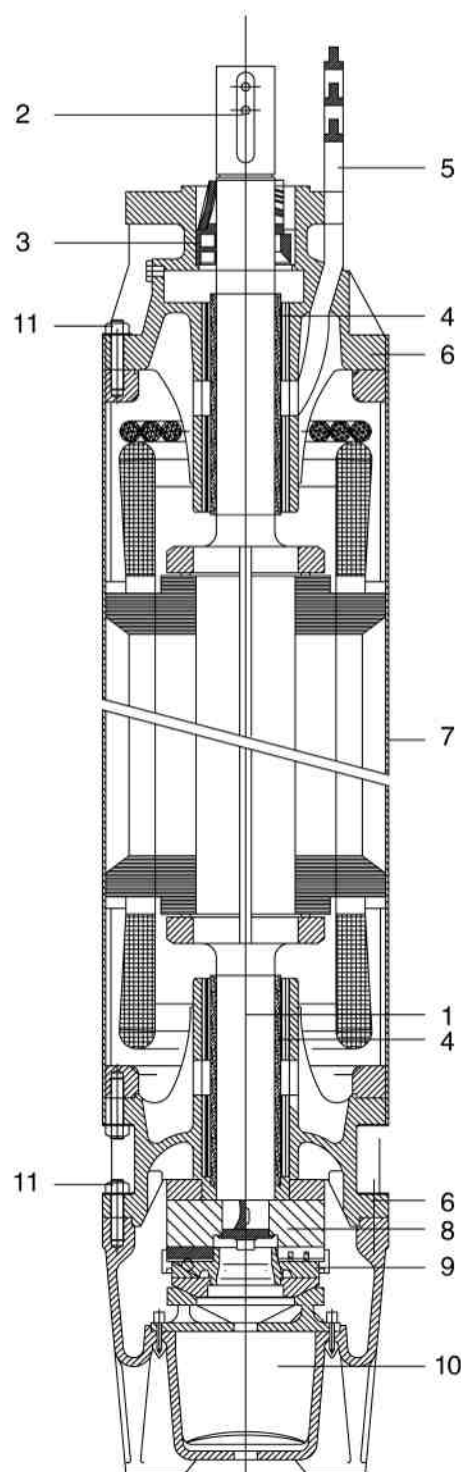
14RW

Accessories

# SUBMERSIBLE MOTOR 14"

SERIES 14RW / 潜水电机 14" / 14RW系列

## IV、MATERIALS 材质



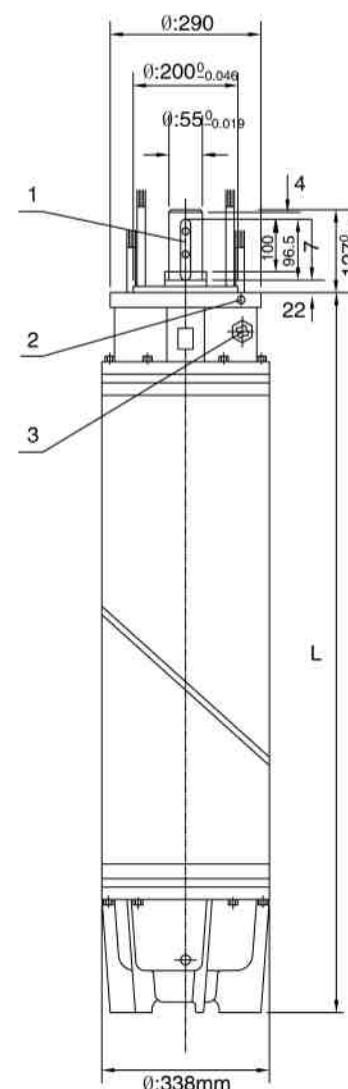
COMPONENT	STD version	N version
1 Shaft	Stainless steel	Stainless steel
2 Shaft end	Stainless steel AISI 304	Stainless steel AISI 316
3 Mechanical seal	Ceramic / Carbon	Ceramic / Carbon
4 Bearing ring	Graphite	Graphite
5 Cable	EPDM	EPDM
6 Structural parts	Cast Iron	Stainless steel AISI 316
7 External sleeve	Stainless steel AISI 304	Stainless steel AISI 316
8 Thrust bearing rotating part	Graphite	Graphite
9 Thrust bearing stationary part	Stainless steel	Stainless steel
10 Diaphragm	EPDM	EPDM
11 Bolts & screws	Stainless steel AISI 304	Stainless steel AISI 316

组件	标准型号	N型
1 轴	不锈钢	不锈钢
2 轴端	AISI 904不锈钢	AISI 904不锈钢
3 机械密封	陶瓷 - 碳质	陶瓷 - 碳质
4 轴承环	不锈钢/NBR	不锈钢/NBR
5 电缆	EPDM	EPDM
6 结构零件	铸铁	AISI 316 不锈钢
7 外轴套	AISI 316 不锈钢	AISI 316 不锈钢
8 推力轴承转动件	不锈钢	不锈钢
9 推力轴承静止件	不锈钢/NBR	不锈钢/NBR
10 隔膜	EPDM	EPDM
11 螺栓和螺母	AISI 304 不锈钢	AISI 316 不锈钢

# SUBMERSIBLE MOTOR 14"

SERIES 14RW / 潜水电机 14" / 14RW系列

## V、OVERALL DIMENSIONS 外形尺寸



- 1 Key 键
- 2 Ground screw 接地螺丝
- 3 Vent valve 排气阀
- 4 Filling valve 注水阀

2 POLES 2极 50Hz

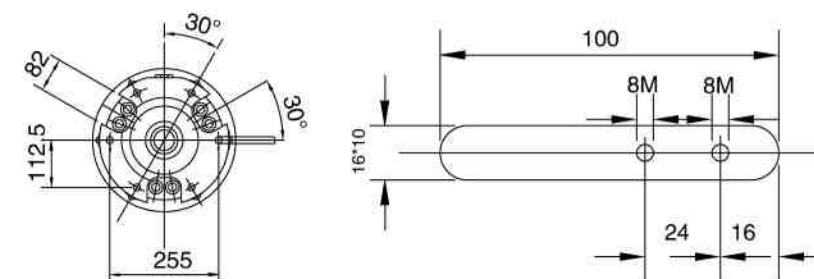
Motor type 电机型号	P2 [Hp]	L 长度 [mm]	Weight 重量 [Kg]	Installation 安装形式	
	[Kw]			Verical立式	Horizontal卧式
14RW300	300	220	1760	663	YES YES
14RW340	340	250	1910	784	YES YES
14RW400	400	294	2020	845	YES YES
14RW450	450	330	2160	906	YES YES
14RW500	500	367	2320	1010	YES YES
14RW550	550	404	2460	1105	YES YES

Cables dimensions 电缆尺寸	Motor type 电机型号	NO. of Cables 电缆数量	sez.尺寸 (mm <sup>2</sup> )	d 直径 (mm)
	14RW300-14RW340	6	1 x 70	20
	14RW400 - 14RW550	6	1 x 95	23

Standard cable length: 5m 标准电缆长度5米

Trust capacity: Continuous rating with fixed sense of rotation 额定推力载荷	Motor type 电机型号	Lower side thrust 下止推力	Upper side thrust 上止推力
	14RW	7000kg	500kg

Permissible maximum load time is 1 minute 最大负载时间为1分钟

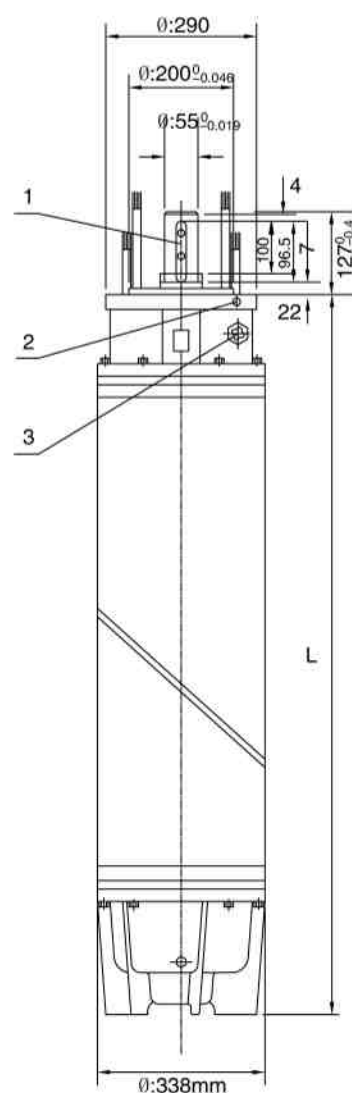




# SUBMERSIBLE MOTOR 14"

SERIES 14RW / 潜水电机 14"  
14RW系列

## V、OVERALL DIMENSIONS 外形尺寸



4 POLES 4极 50Hz						
Motor type 电机型号	P2 [Hp]	P2 [Kw]	L 长度 [mm]	Weight 重量 [Kg]	Installation 安装形式 Verical立式 Horizontal卧式	
14RW230/4	230	169	1910	776	YES	YES
14RW260/4	260	191	2020	855	YES	YES
14RW300/4	300	220	2160	950	YES	YES
14RW350/4	350	257	2320	1065	YES	YES
14RW400/4	400	294	2460	1108	YES	YES

Cables dimensions 电缆尺寸	Motor type 电机型号	NO. of Cables 电缆数量	sez.尺寸 (mm <sup>2</sup> )	d 直径 (mm)
	14RW230/4-14RW300/4	6	1 × 70	20
	14RW350/4-14RW400/4	6	1 × 95	23

Standard cable length: 5m 标准电缆长度5米

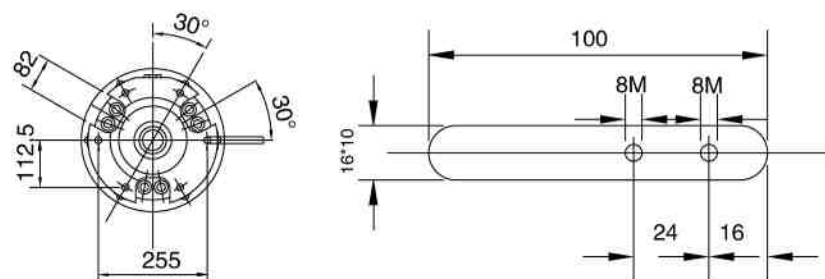
Trust capacity: Continuous rating with fixed sense of rotation 额定推力载荷	Motor type 电机型号	Lower side thrust 下止推力	Upper side thrust 上止推力
	14RW / 4	3500kg	250kg

Permissible maximum load time is 1 minute 最大负载时间为1分钟

- 1 Key 键
- 2 Ground screw 接地螺丝
- 3 Vent valve 排气阀
- 4 Filling valve 注水阀

ON REQUEST 可提供

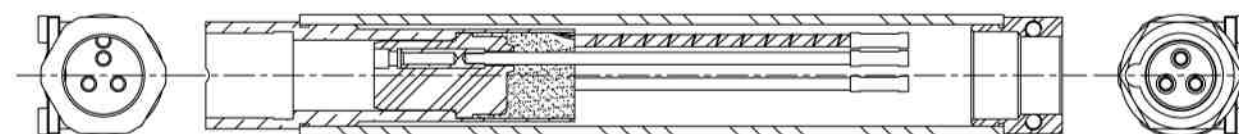
Sand-fighter motor 抗沙电机



# ACCESSORIES

4" MOTOR / 附件

## I、LEAD TERMINATION KIT FOR 4" MOTOR 4" 电机引线端组件



Allows the use of a removable connector on the drop cable.  
用于连接电缆的可拆卸接头。

## II、TWO PLUG 4" MOTOR LEAD 4" 电机引线两项插头



Required for use of lead termination kit. It allows the connection between the lead termination kit and a 4" motor.

用于引线端组件，连接引线端组件和4"电机。

3EWS

4EWS

4EWF

4ROS

6EW

6RW

8RW

10RW

12RW

14RW

Accessories

